

SERVICE MANUAL

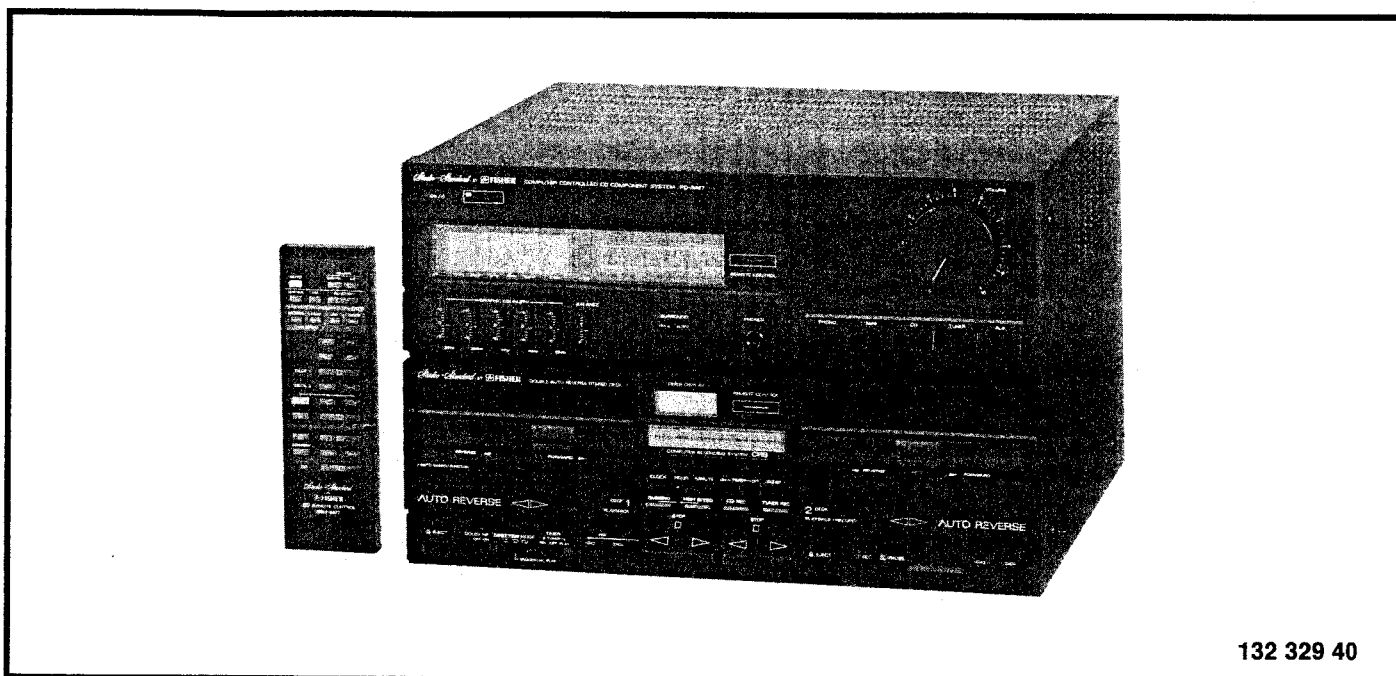


FISHER

INTEGRATED STEREO DECK
AMPLIFIER WITH WIRELESS
REMOTE CONTROL REM-M87

PD-M87

(EUROPE/SPAIN)



132 329 40

SPECIFICATIONS

Remote Control (REM-M87) 28-function,
wireless remote control

Power Amplifier Section

**Minimum RMS sine wave power per channel
within stated bandwidth at no more than stated
distortion and with 6-ohm load 55 W**
Power Bandwidth 40 Hz – 20 kHz
Total Harmonic Distortion 0.9 %
Speaker Damping > 20

Pre Amplifier Section

Input Sensitivity and Impedance
Phono 3.0mV/50k Ω
AUX/Tuner 150mV/50k Ω
CD 300mV/50k Ω
Phono Max. Input Capability 100mV

Graphic Equalizer

63 Hz ± 10 dB
250 Hz ± 10 dB
1 kHz ± 10 dB
4 kHz ± 10 dB
16 kHz ± 10 dB

Cassette Tape Deck Section

Wow and Flutter (WRMS) 0.1%
Channel Separation 30 dB
Frequency Response (Fe₂O₃) 50 Hz – 13 kHz

General

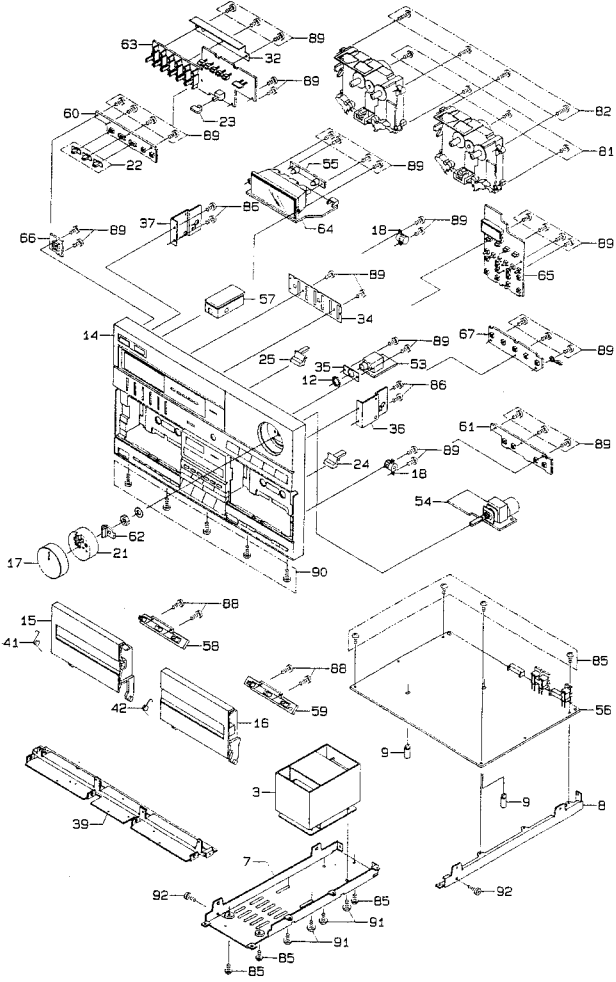
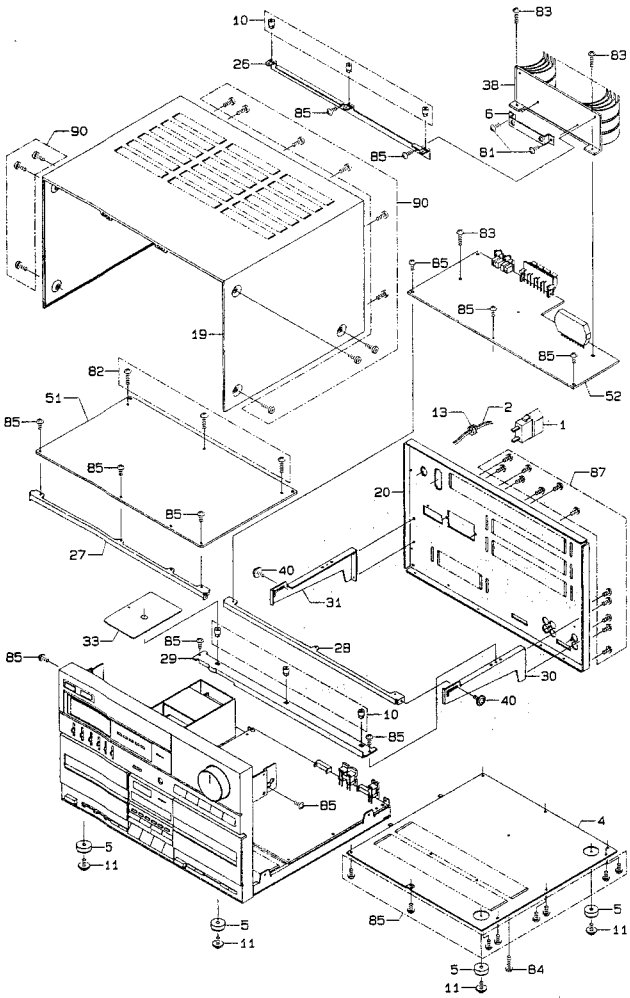
Power Requirements AC 220V
(50 Hz) 300 W
Dimensions (WxHxD) 360 x 234 x 300 mm
Weight (approx.) 9.1 kg

Dolby is a registered trademark of Dolby Laboratories Licensing Corporation.

– Specifications and design are subject to change without notice. –

REFERENCE No. WM-570051

CABINET & CHASSIS EXPLODED VIEW



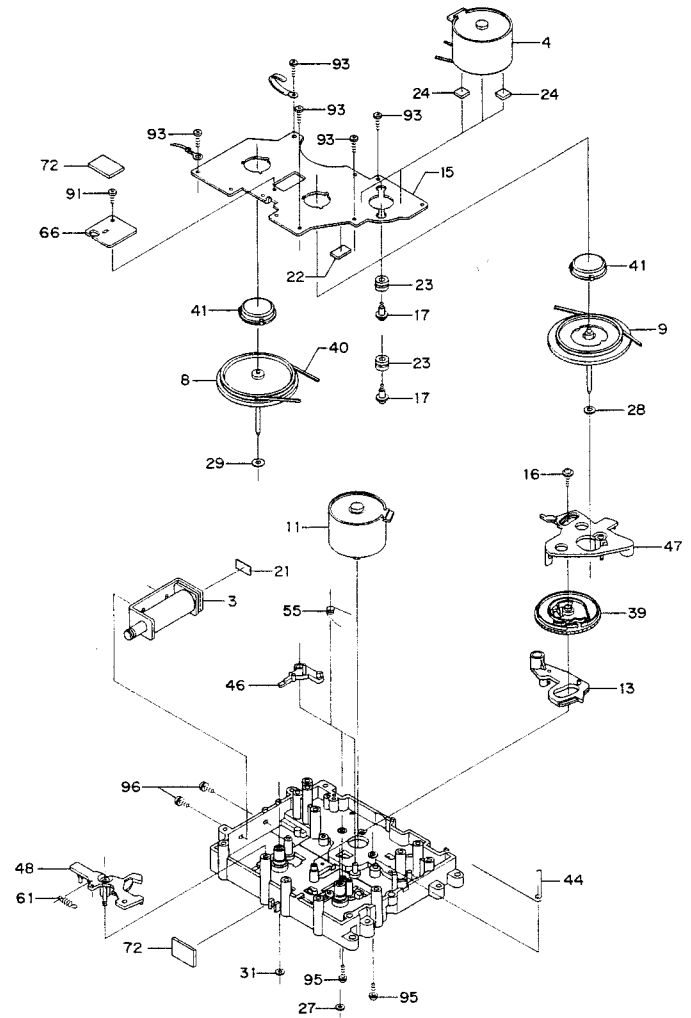
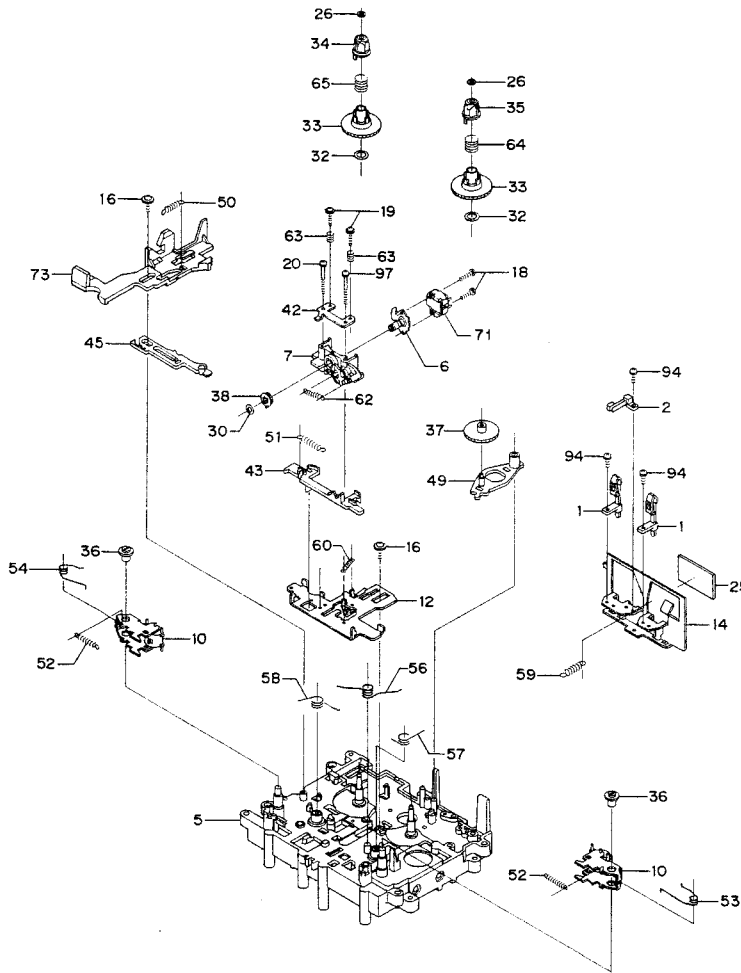
CABINET/CHASSIS PARTS LIST

Ref. No.	Part No.	Description	Q'ty	Ref. No.	Part No.	Description	Q'ty
PACKAGE							
	620 059 7333	Patching Sheet	1	62	620 190 7421	LED Volume P.C.B. Assy	1
	620 189 5032	Box Corrugate-Exp.	1	63	620 190 7438	Graphic Equalizer P.C.B. Assy	1
	620 148 3918	Pad (Left)	1	64	620 190 7445	Spectrum ANA P.C.B. Assy	1
	620 148 3925	Pad (Right)	1	65	620 190 7452	Timer P.C.B. Assy	1
	620 148 6131	Poly Cover 120 x 250	1	66	620 190 7469	Power Switch P.C.B. Assy	1
	620 148 8012	Sheet Polyethylene	1	67	620 190 7476	Function Switch P.C.B. Assy	1
	620 062 0543	Serial No. Sheet	2				
ACCESSORIES							
	620 190 2563	REM-M87 (Remote Control)	1	81	411 020 5904	SCR S-TPG BRZ 3X10	6
	620 057 8783	Bag Fan	1	82	411 020 6208	SCR S-TPG BRZ 3X12	7
	620 152 2624	Certificate Card	1	83	411 020 6604	SCR S-TPG BRZ 3X14	3
	620 190 2785	Explanatory Booklet	1	84	411 020 7007	SCR S-TPG BRZ 3X20	1
	620 062 0543	Serial No. Sheet	1	85	411 020 7700	SCR S-TPG BRZ 3X6	27
				86	411 020 8004	SCR S-TPG BRZ 3X8	4
				87	411 099 9803	SCR S-TPG BRZ 3X8	12
				88	411 100 0102	SCR S-TPG BIN 2X6	4
				89	411 021 2704	SCR S-TPG BIN 2.6X6	33
				90	411 021 5903	SCR S-TPG BIN 3X6	17
				91	411 024 8406	SCR S-TPG TRS 4X8	4
				92	411 021 5705	SCR S-TPG BIN 3X6	2
CABINET							
	620 017 6460	Connector 1P Assy	1	NOTES:			
	620 018 0665	Connector 1P Assy	1	1.	Parts order must contain Model Number, Part Number and Description.		
	620 022 3454	Terminal Lug	3	2.	Ordering quantity of screws and resistors must be multiple of 10 pcs.		
	620 050 3259	Cramp Wire	20	<p style="text-align: center;">PRODUCT SAFETY NOTICE</p> <p>Each precaution in this manual should be followed during servicing. Components identified with the IEC symbol Δ in the parts list and the schematic diagram designate components in which safety can be of special significance. When replacing a component identified with Δ, use only the replacement parts designated, or parts with the same ratings of resistance, wattage or voltage that are designated in the parts list in this manual. Leakage-current or resistance measurements must be made to determine that exposed parts are acceptably insulated from the supply circuit before returning the product to the customer.</p>			
	620 050 3730	Cramp Wire	2				
	620 125 8103	Lug	1				
	620 152 7452	Serial No. Sheet	1				
	403 074 2701	CERAMIC 0.047U Z 50V [C101]	1				
1 Δ	620 017 1212	AC Socket	1				
2 Δ	620 023 7550	Power Cord	1				
3 Δ	620 190 7841	Power Trans	1				
4	620 039 7544	Plate Bottom	1				
5	620 047 3873	Leg	4				
6	620 048 2608	Metal Mount (IC)	1				
7	620 048 7504	Chassis (Left)	1				
8	620 048 7511	Chassis (Right)	1				
9	620 050 4409	Mount P.C.B	2				
10	620 050 4539	Mount P.C.B	6				
11	620 051 3708	Screw, Braz. Hd. Tapping-B, + M3.0X8	4				
12	620 051 4903	NUT	1				
13	620 053 2136	Bushing (Power Cord)	1				
14	620 189 4745	Cabinet Front Assy	1				
15	620 189 4776	Lid Cassette Left Assy	1				
16	620 189 4783	Lid Cassette Right Assy	1				
17	620 075 2725	Knob Volume Assy	1				
18	620 083 1789	Gear Eject Assy	2				
19	620 090 8115	Cover	1				
20	620 189 1768	Panel Rear	1				
21	620 108 6287	Knob (Volume)	1				
22	620 109 6279	Knob Slide	3				
23	620 111 6519	Knob Surround A	1				
24	620 112 0622	Knob Eject Right	1				
25	620 112 0646	Knob Eject Left	1				
26	620 190 0514	Bracket-Control P.C.B.	1				
27	620 117 6759	Bracket-PCB	1				
28	620 117 6780	Bracket-PCB Power	1				
29	620 189 1867	Bracket-Power Amplifier P.C.B	1				
30	620 189 1874	Bracket (Right)	1				
31	620 189 1881	Bracket (Left)	1				
32	620 118 3382	Plate Shield	1				
33	620 190 0101	Plate Shield	1				
34	620 191 8540	Plate Shield	1				
35	620 119 1721	Metal Mount	1				
36	620 119 2247	Metal Mount (Right)	1				
37	620 119 2254	Metal Mount (Left)	1				
38	620 189 6237	Plate Heat Sink	1				
39	620 121 5014	Chassis Front	1				
40	620 122 6423	Screw Washer, + M2.6X5.6	2				
41	620 137 9990	Spring Lid Left	1				
42	620 138 0002	Spring Lid Right	1				
51	620 080 5803	Control P.C.B. Assy	1				
52	620 190 7322	Power Amplifier P.C.B. Assy	1				
53	620 190 7339	Head Phone P.C.B. Assy	1				
54	620 190 7346	Master Volume P.C.B. Assy	1				
55	620 190 7353	Lamp P.C.B. Assy	1				
56	620 190 7360	Deck Amplifier P.C.B. Assy	1				
57	620 190 7377	Remocon P.C.B. Assy	1				
58	620 190 7384	LED Lid Cassette M1 P.C.B. Assy	1				
59	620 190 7391	LED Lid Cassette M2 P.C.B. Assy	1				
60	620 190 7407	Slide Switch P.C.B. Assy	1				
61	620 190 7414	Touch Switch P.C.B. Assy	1				

CASSETTE DECK MECHANISM PARTS LIST & EXPLODED VIEW

(DECK 1 Chassis Top)

(DECK 1 Chassis Bottom)

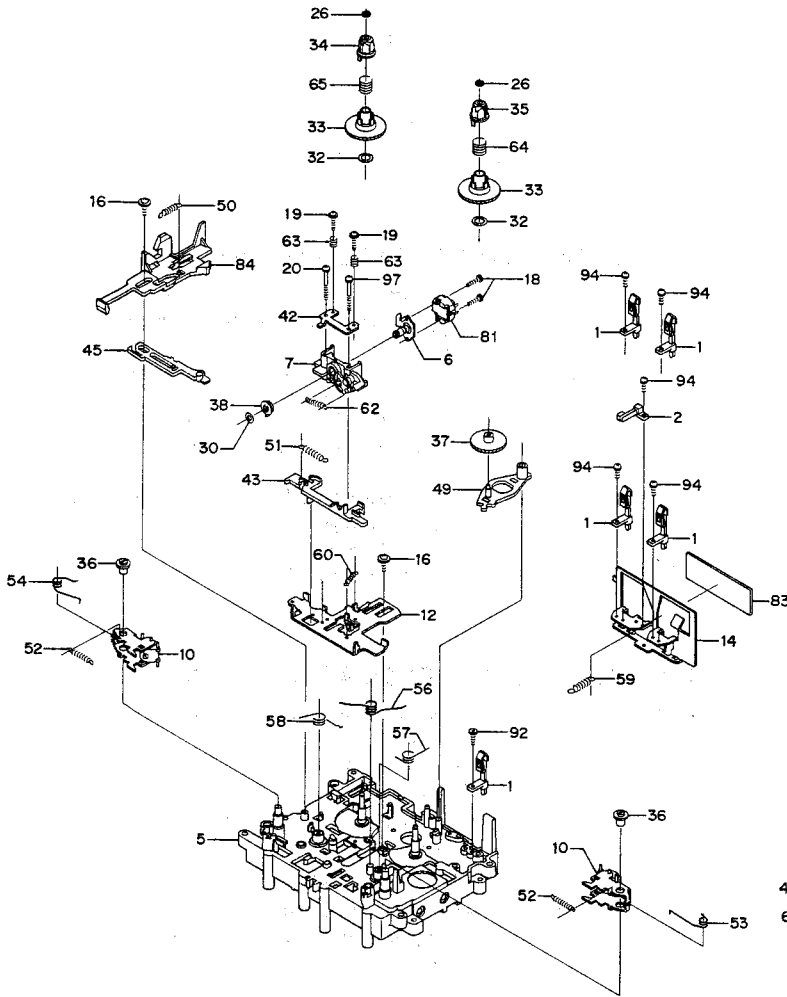


Ref. No.	Part No.	Description	Q'ty
DECK 1 & DECK 2 SIMILAR PARTS			
	620 011 1867	PCB Head	2
	620 125 8110	Lug	2
1	620 016 9332	Leaf Switch (Cassette) [SW2]	2
1	620 016 9332	Leaf Switch (CrO ₂) [SW3]	2
2	620 016 9349	Leaf Switch (Stop) [SW1]	2
3	620 029 3624	Plunger [PL1, PL2]	2
4	620 030 3835	Motor [M2, M4]	2
5	620 081 5857	Chassis Assy	2
6	620 082 2787	Plate Head Assy	2
7	620 082 2848	Head Base Assy	2
8	620 082 7164	Flywheel FWD PB Assy	2
9	620 082 7201	Flywheel REV Complete	2
10	620 083 0539	Arm Pinchroller Assy	4
11	620 083 2625	Gear Motor Assy [M1, M3]	2
12	620 084 2471	Base Slide Assy	2
13	620 085 0902	Lever Assist B Assy	2
14	620 119 1332	Bracket Switch	2
15	620 119 1561	Support Flywheel	2
16	620 122 7277	Screw, Pan Hd. Tapp w/Washer + M2.0X6	6
17	620 122 9356	Screw, Pan Hd., w/Washer + M2.6X1.5	4
18	620 123 0550	Screw, Pan Hd., + M1.6X6.0	4
19	620 123 0901	Screw Azimuth	4
20	620 123 1038	Screw C Switch M2X20	2
21	620 123 5920	Sheet (Solenoid)	2
22	620 123 9072	Cushion	2

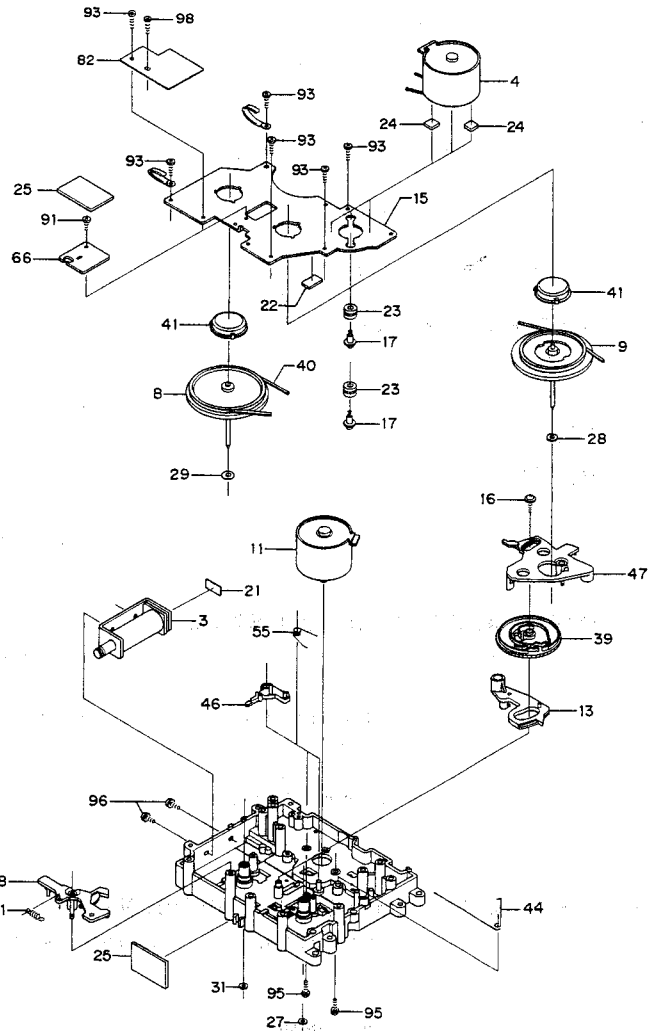
Ref. No.	Part No.	Description	Q'ty
23	620 123 9942	Cushion Motor	4
24	620 124 5530	Cushion	4
25	620 124 7350	Cushion	3
26	620 125 1630	Washer, M1.5X3.5X0.4	4
27	620 125 1982	Washer, M2.1X4.0X0.25	2
28	620 125 3450	Washer, M2.2X6.0X0.25	2
29	620 125 3870	Washer, M2.6X6.0X0.25	2
30	620 125 4280	Washer CUT, M3.4X6.0X0.4	2
31	620 125 4761	Washer, M2.4X4.5X0.25	2
32	620 125 4846	Washer, M4.1X8.0X0.25	4
33	620 126 6252	Reel Plate	4
34	620 126 6269	Fin Reel Supply	2
35	620 126 6276	Fin Reel Take-up	2
36	620 126 8492	Bush	4
37	620 127 8132	Gear Idler	2
38	620 127 8156	Gear Head	2
39	620 127 8163	Gear Actuate	2
40	620 128 6533	Belt Drive	2
41	620 129 1292	Thrust Flywheel	4
42	620 130 6019	Plate Azimuth	2
43	620 130 6026	Plate Reverse	2
44	620 137 9426	Spring Earth Reel	2
45	620 130 6040	Rod Eject Base	2
46	620 131 8982	Lever Lock Base	2
47	620 131 9002	Lever REV Select	2
48	620 131 9019	Lever Play Start	2

CASSETTE DECK MECHANISM PARTS LIST & EXPLODED VIEW

(DECK 2 Chassis Top)



(DECK 2 Chassis Bottom)



Ref. No.	Part No.	Description	Q'ty
49	620 132 4914	Arm Idler	2
50	620 136 9489	Spring Tension Arm	2
51	620 136 9922	Spring Slide Base	2
52	620 137 4346	Spring Base Head	4
53	620 137 9051	Spring Arm Pinch Right	2
54	620 137 9068	Spring Arm Pinch Left	2
55	620 137 9082	Spring Lever REV SEL	2
56	620 137 9099	Spring Lever Base	2
57	620 137 9358	Spring Earth FWD	2
58	620 137 9365	Spring Earth Revs	2
59	620 138 9616	Spring Base	2
60	620 139 1077	Spring Lever Base	2
61	620 139 1121	Spring Lever Start	2
62	620 139 1220	Spring Gear Reverse	2
63	620 139 4139	Spring Azimuth	4
64	620 139 4207	Spring Reel FWD	2
65	620 139 4214	Spring Reel Revs	2
91	411 021 0809	SCR S-TPG BIN 2X6	2
92	411 021 1202	SCR S-TPG BIN 2X8	1
93	411 021 1806	SCR S-TPG BIN 2.6X10	11
94	411 044 7205	SCR PAN + SW 2X4	8
95	411 045 1202	SCR PAN + SW 2.6X5	4
96	411 045 5408	SCR PAN + SW 3X5	4
97	411 106 5606	SCR PAN + SW + W 2X20	2
98	411 021 2704	SCR S-TPG BIN 2.6X6	1

Ref. No.	Part No.	Description	Q'ty
DECK 1 ONLY			
71	620 023 6195	P/B Rotary Head	1
72	620 124 5103	Cushion	2
73	620 130 6965	Rod Eject	1
DECK 2 ONLY			
	620 125 8103	Lug	1
1	620 016 9332	Leaf Switch (Metal) [SW4]	1
1	620 016 9332	Leaf Switch (Int) [SW5]	1
1	620 016 9332	Leaf Switch (Inter Lock) [SW6]	1
81	620 023 6218	R/P/E Rotary Head	1
82	620 052 9266	Cover Shield	1
83	620 124 5950	Cushion	1
84	620 130 6033	Rod Eject	1

NOTES:

- Parts order must contain Model Number, Part Number and Description.
- Ordering quantity of screws and resistors must be multiple of 10 pcs.

DOUBLE CASSETTE DECK ELECTRICAL ADJUSTMENT PROCEDURES

MEASURING INSTRUMENTS REQUIRED

- Dualtrace Oscilloscope
- AC VTVM (AC voltmeter with high impedance)
- Frequency Counter
- Audio Signal Generator
- Dummy Load (6Ω)
- Test Tapes
 - ‡ 3kHz Test Tape (Example: TEAC MTT-111) for Normal Tape Speed Adjustment
 - ‡ 10kHz Test Tape (Example: TEAC MTT-114) for Azimuth Adjustment
 - ‡ 400Hz Test Tape (Example: TEAC MTT-150) for Playback Sensitivity Adjustment
- Test Tapes for Recording and Playback Operations
 - ‡ Normal Tape (Example: TDK AC 223)

SWITCH POSITIONS

Unless especially indicated, set switch as follows;

DOLBY NR Switch	OFF
SURROUND Switch	OFF
GRAPHIC EQUALIZER Volume	CENTER

NORMAL TAPE SPEED ADJUSTMENT

1. Connect the dummy load (6Ω) and the frequency counter to the Speaker terminal (Left channel).
2. Load Deck 1 with a test tape (Example: TEAC MTT-111) and set it in the playback mode.
3. Adjust the potentiometer inside the capstan drive motor, so that the output becomes 3000Hz \pm 5Hz.
4. Perform the same adjustment for Deck 2.

HIGH SPEED TAPE SPEED ADJUSTMENT

1. Connect the dummy load (6Ω) and the frequency counter to the speaker terminal (Left Channel).
2. Load Deck 1 with a test tape (Example: TEAC MTT-111) and set it in the playback mode.
3. Short circuit Test Point TP1 on the Control P.C.Board. (The set will be set to the high speed mode.)
4. Adjust VR1 on the Control P.C.Board so that the reading on the frequency counter is 6000Hz \pm 10Hz.
5. Load Deck 2 with the same test tape.
6. Short circuit Test Point TP2 on the Control P.C.Board.
7. Adjust VR2, so that the Deck 2 frequency should become as same as Deck 1.

HEAD AZIMUTH ADJUSTMENT

1. Connect the dualtrace oscilloscope and AC VTVM to the Dolby test point TP8 and TP9 (Left and Right channel) on the Deck Amplifier P.C.Board.

Then, set the dualtrace oscilloscope as follows:

‡ MODE	CHOP (chopped)
‡ SOURCE	INT (internal), CH1 or CH2
‡ SWEEP MODE	AUTO (automatic)

NOTE:

Adjust the field on the oscilloscope with the VOLT. ADJ. and TIME ADJ.

2. Load Deck 1 with a test tape (Example: TEAC MTT-114) and set it in the forward playback mode.
3. Adjust the azimuth adjustment screw, so that the wave forms become maximum on the oscilloscope and the Right channel wave form overlaps with the Left channel one.
4. Perform the same adjustment for Deck 2.
5. After the adjustment, secure the adjusting screw with paint or glue.

PLAYBACK OUTPUT LEVEL ADJUSTMENT

1. Connect the oscilloscope and AC VTVM to the Dolby test point TP8 and TP9 (Left and Right channel) on the Deck Amplifier P.C.Board.
2. Load Deck 1 with a test tape (Example: TEAC MTT-150) and set it in the playback mode.
3. Adjust VR401 (left) and VR402 (right) on the Deck Amplifier P.C.Board so that the reading on the AC VTVM is 548mV.
4. Install the test tape (For example: TEAC MTT-150) in Deck 2 and set to the playback mode.
5. Do the same for Deck 1, and adjust VR403 (left) and VR404 (right) Deck Amplifier P.C.Board so that the output is 548mV.

RECORDING BIAS LEVEL ADJUSTMENT

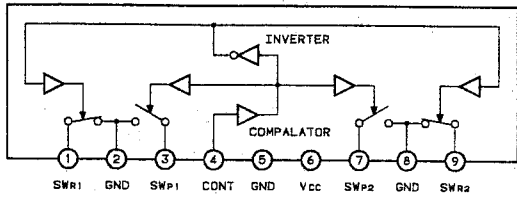
1. Connect the audio signal generator to the Left channel of the AUX input terminal, and the AC VTVM to the Dolby test point TP8 and TP9 (Left and Right channel) on the Deck Amplifier P.C.Board.
2. Load Deck 2 with a normal tape (Example: TDK AC223) and set it in the recording mode.
3. Function switch to the AUX position.
4. Set the Input Level ATT so that the output level becomes 31mV and feed the signals of 1kHz and 12.5kHz from the audio signal generator into the unit. Then, record the signals on the tape.
5. Playback the recorded signals and adjust potentiometer VR405 for the Left channel, so that the difference in output of the 1kHz and 12.5kHz signals become \pm 1dB.
6. Adjust potentiometer VR406 for the Right channel by following the same procedures as described for the Left channel.

NOTE:

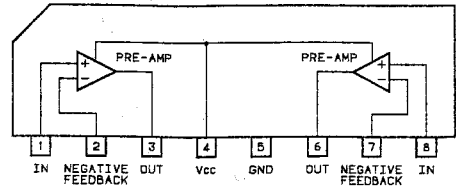
When adjusting one Deck, set the other Deck to the stop mode.

IC BLOCK DIAGRAM

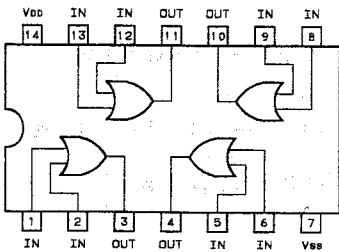
UPC1330HA BLOCK DIAGRAM



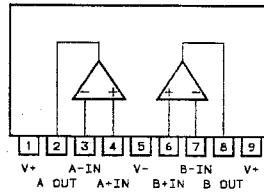
LA3160 BLOCK DIAGRAM



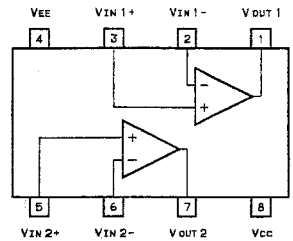
LC4071B BLOCK DIAGRAM



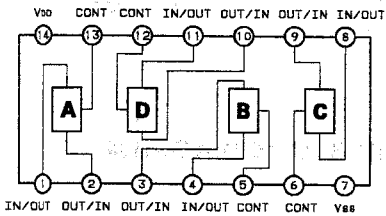
LA6462S BLOCK DIAGRAM



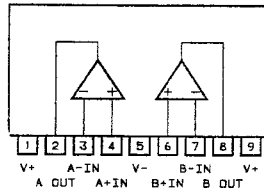
LA6458DS BLOCK DIAGRAM



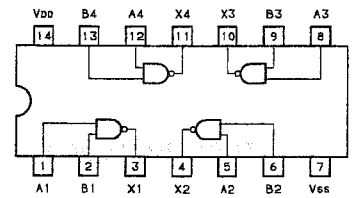
LC4066B BLOCK DIAGRAM



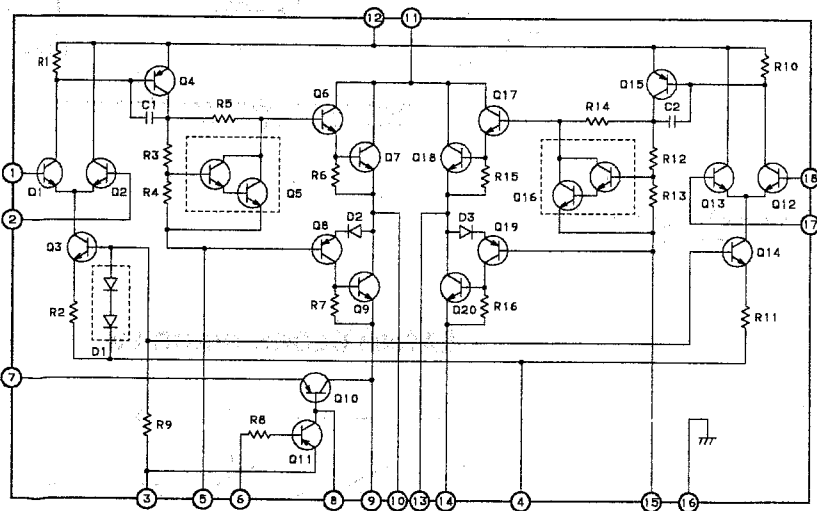
LA6458S BLOCK DIAGRAM



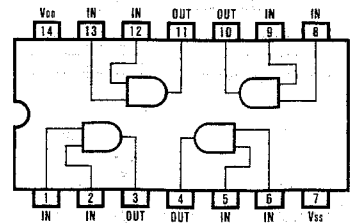
LC4011B BLOCK DIAGRAM



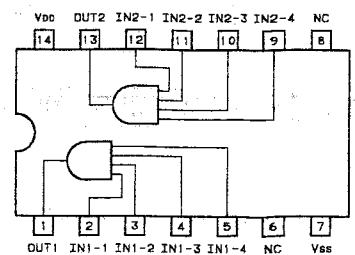
STK4192MK2 BLOCK DIAGRAM



LC4081B BLOCK DIAGRAM

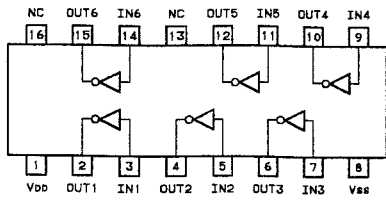


LC4082B BLOCK DIAGRAM

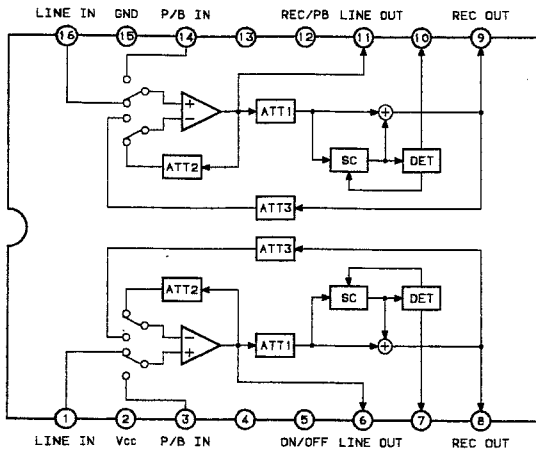


IC BLOCK DIAGRAM (Continued)

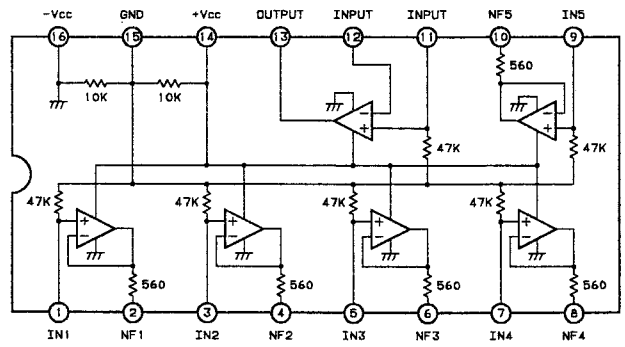
LC4049B BLOCK DIAGRAM



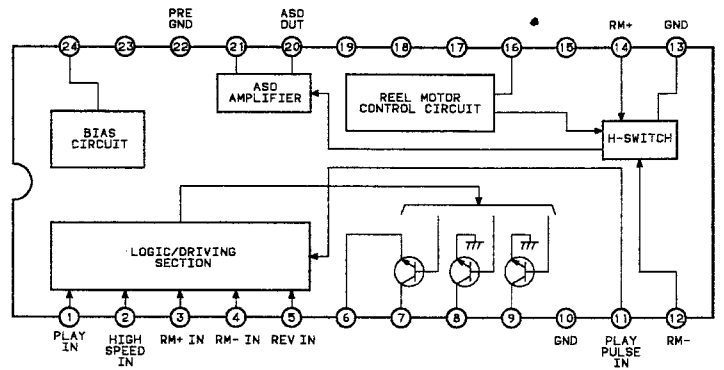
CXA1101P BLOCK DIAGRAM



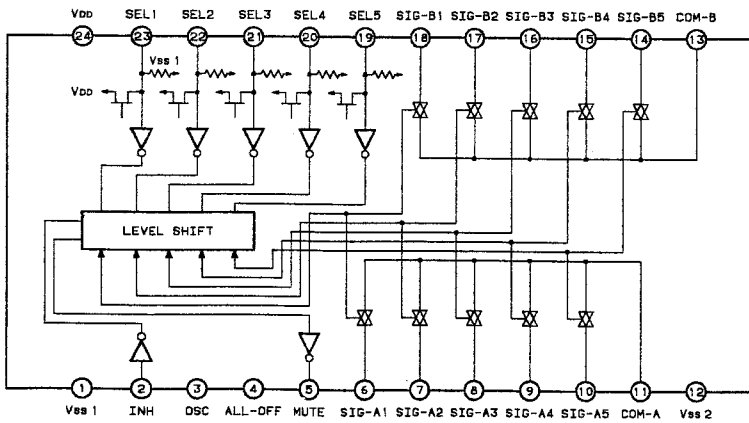
M5227P BLOCK DIAGRAM



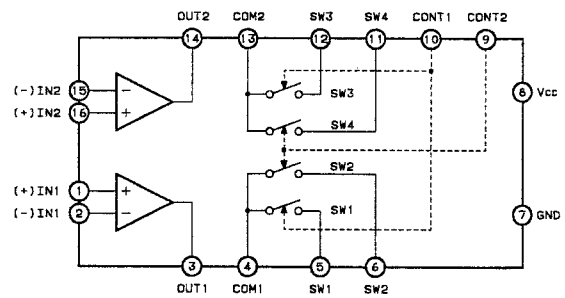
TA8121N BLOCK DIAGRAM



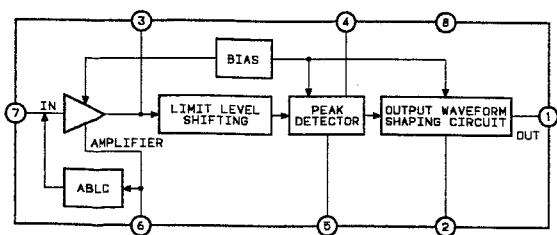
TC9152P BLOCK DIAGRAM



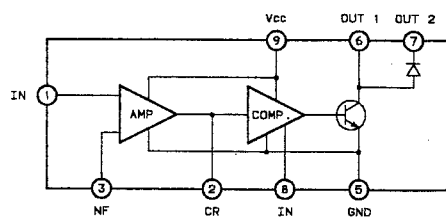
M5246P BLOCK DIAGRAM



UPC1473HA BLOCK DIAGRAM

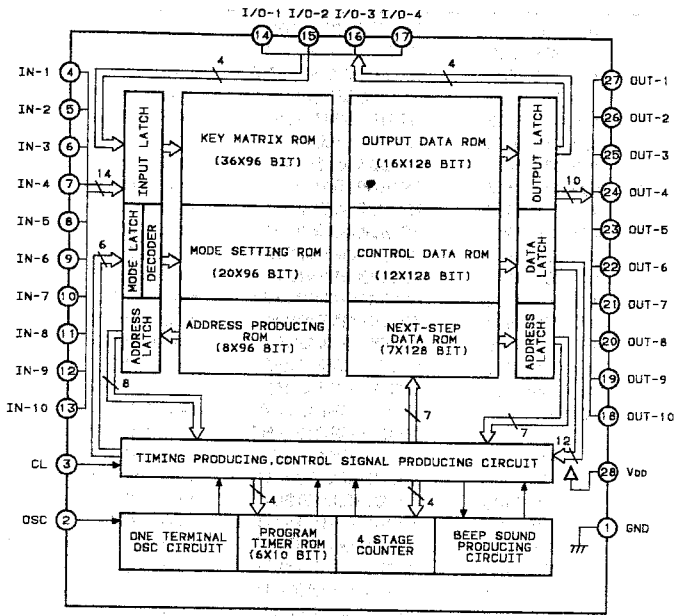


LA2000 BLOCK DIAGRAM

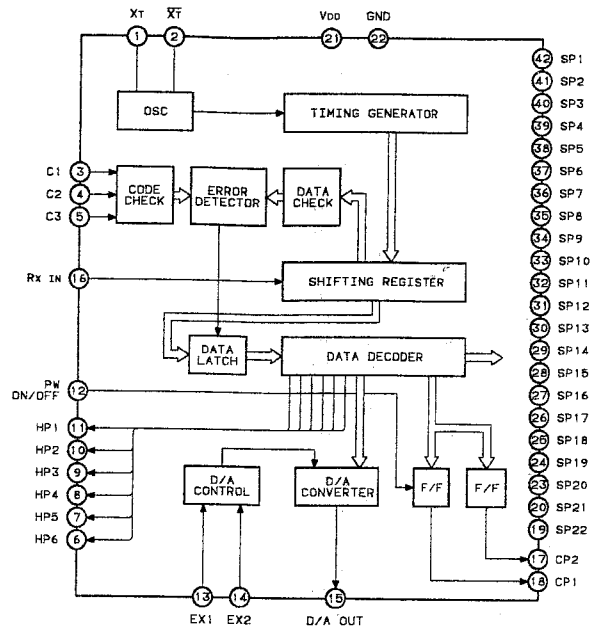


IC BLOCK DIAGRAM (Continued)

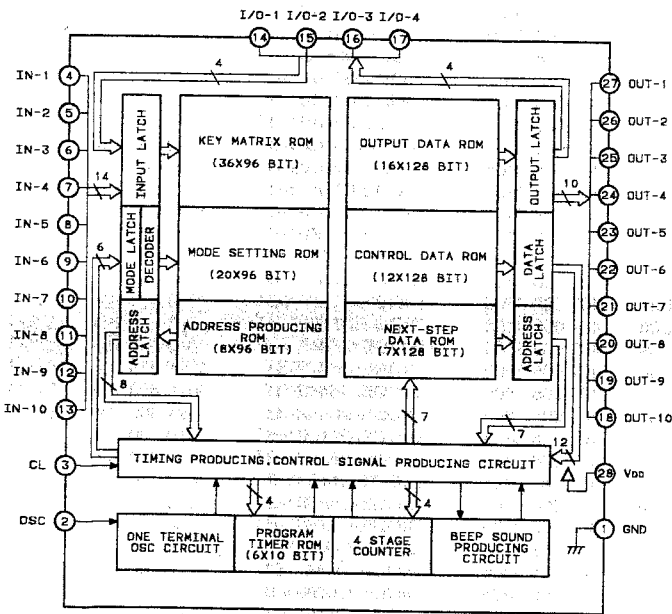
TC9312N-035 BLOCK DIAGRAM



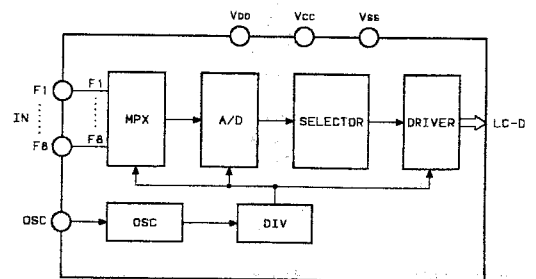
TC9134P BLOCK DIAGRAM



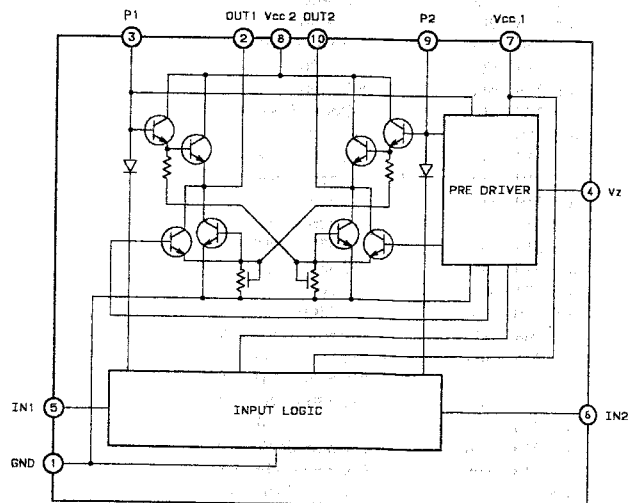
TC9312N-036 BLOCK DIAGRAM



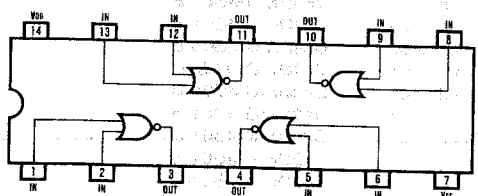
LC7561 BLOCK DIAGRAM



LB1641 BLOCK DIAGRAM



LC4001B BLOCK DIAGRAM



P.C.BOARD PARTS LIST

Ref. No.	Part No.	Description	Q'ty	Ref. No.	Part No.	Description	Q'ty
CONTROL P.C.B. ASSY							
51	620 080 5803	Control P.C.B. Assy	1	or	405 019 2708	TR 2SC536-F-NP-AA	1
CF1	620 007 3417	Ceramic OSC CSB 455E	1	Q22	405 024 4308	TR 2SD612-F	1
CN1	620 021 5589	Plug 5P	1	Q23	405 019 3804	TR 2SC536-G-NP-AA	1
CN2	620 021 6234	Plug 7P	1	or	405 019 2708	TR 2SC536-F-NP-AA	1
CN3	620 021 6678	Plug 9P	1	Q24	405 001 0408	TR RN1204	1
CN4	620 021 9198	Plug 3P	1	Q25	405 018 2600	TR 2SC3400	1
CN5	620 021 2106	Plug 8P	1	Q26	405 003 7702	TR 2SA1346	1
CN6	620 022 0842	Plug 7P	1	Q27	405 001 0408	TR RN1204	1
CN7	620 022 1757	Plug 5P	1	Q28	405 018 2600	TR 2SC3400	1
CN8	620 021 5954	Plug 6P	1	Q29	405 018 2600	TR 2SC3400	1
CN9	620 021 7811	Plug 3P	1	D1	407 008 0405	DIODE GMB01-BT	1
CN10	620 022 0026	Plug 7P	1	D2	407 008 0405	DIODE GMB01-BT	1
CN11	620 021 5923	Plug 3P	1	D3	407 004 9105	DIODE DSF10C-BT	1
CN12	620 021 4025	Plug 3P	1	D4	407 008 0405	DIODE GMB01-BT	1
CN13	620 021 4377	Plug 7P	1	D5	407 005 3805	DIODE DS442-BT	1
CN14	620 021 5930	Plug 4P	1	D6	407 005 3805	DIODE DS442-BT	1
CN15	620 021 7163	Plug 3P	1	D7	407 005 3805	DIODE DS442-BT	1
CN16	620 021 4391	Plug 8P	1	D8	407 008 0405	DIODE GMB01-BT	1
CN17	620 021 4391	Plug 8P	1	D9	407 004 9105	DIODE DSF10C-BT	1
CN18	620 021 4346	Plug 4P	1	D10	407 005 3805	DIODE DS442-BT	1
CN19	620 021 5947	Plug 5P	1	D11	407 008 0405	DIODE GMB01-BT	1
CN20	620 021 9204	Plug 5P	1	D12	407 008 0405	DIODE GMB01-BT	1
CN21	620 021 5923	Plug 3P	1	D13	407 008 0405	DIODE GMB01-BT	1
VR1	620 004 7319	Semi Fixed 200	1	D14	407 008 0405	DIODE GMB01-BT	1
VR2	620 004 7319	Semi Fixed 200	1	D15	407 008 0405	DIODE GMB01-BT	1
W7	620 055 2431	Jumper	1	D16	407 008 0405	DIODE GMB01-BT	1
IC1	409 020 8308	IC LC4049B	1	D17	407 008 7206	DIODE MA700	1
IC2	409 020 6908	IC LC4011B	1	D18	407 008 0405	DIODE GMB01-BT	1
IC3	409 020 8308	IC LC4049B	1	D19	407 008 0405	DIODE GMB01-BT	1
IC4	409 020 8308	IC LC4049B	1	D20	407 008 0405	DIODE GMB01-BT	1
IC5	409 020 6908	IC LC4011B	1	D21	407 008 0405	DIODE GMB01-BT	1
IC6	409 020 9800	IC LC4081B	1	D22	407 008 0405	DIODE GMB01-BT	1
IC7	409 020 8308	IC LC4049B	1	D23	407 008 0405	DIODE GMB01-BT	1
IC8	409 020 9503	IC LC4071B	1	D24	407 005 3805	DIODE DS442-BT	1
IC9	409 020 9503	IC LC4071B	1	D25	407 008 7206	DIODE MA700	1
IC10	409 020 8308	IC LC4049B	1	D26	407 008 7206	DIODE MA700	1
IC11	409 020 8308	IC LC4049B	1	D27	407 008 0405	DIODE GMB01-BT	1
IC12	409 020 6601	IC LC4001B	1	D28	407 008 0405	DIODE GMB01-BT	1
IC13	409 020 8308	IC LC4049B	1	D29	407 008 0405	DIODE GMB01-BT	1
IC14	409 021 0103	IC LC4082B	1	D30	407 008 0405	DIODE GMB01-BT	1
IC15	409 020 8308	IC LC4049B	1	D31	407 008 0405	DIODE GMB01-BT	1
IC16	409 020 9503	IC LC4071B	1	D32	407 008 0405	DIODE GMB01-BT	1
IC17	409 020 6908	IC LC4011B	1	D33	407 008 0405	DIODE GMB01-BT	1
IC18	409 020 8308	IC LC4049B	1	D34	407 008 0405	DIODE GMB01-BT	1
IC19	409 052 9205	IC TC9134P	1	D35	407 008 0405	DIODE GMB01-BT	1
IC20	409 071 7404	IC TA8121N	1	D36	407 008 0405	DIODE GMB01-BT	1
IC21	409 072 1609	IC TC9312N-035	1	D37	407 008 0405	DIODE GMB01-BT	1
IC22	409 071 7404	IC TA8121N	1	D38	407 008 0405	DIODE GMB01-BT	1
IC23	409 072 1708	IC TC9312N-036	1	D39	407 005 3805	DIODE DS442-BT	1
Q1	405 018 2600	TR 2SC3400	1	D40	407 005 3805	DIODE DS442-BT	1
Q2	405 018 2600	TR 2SC3400	1	D41	407 005 3805	DIODE DS442-BT	1
Q3	405 008 6809	TR 2SB808-F-SPA-AC	1	D42	407 005 3805	DIODE DS442-BT	1
Q4	405 018 2600	TR 2SC3400	1	D43	407 008 0405	DIODE GMB01-BT	1
Q5	405 018 2600	TR 2SC3400	1	D44	407 008 0405	DIODE GMB01-BT	1
Q6	405 008 6809	TR 2SB808-F-SPA-AC	1	D45	407 008 0405	DIODE GMB01-BT	1
Q7	405 018 2600	TR 2SC3400	1	D46	407 008 0405	DIODE GMB01-BT	1
Q8	405 019 3804	TR 2SC536-G-NP-AA	1	D47	407 008 0405	DIODE GMB01-BT	1
or	405 019 2708	TR 2SC536-F-NP-AA	1	D48	407 008 7206	DIODE MA700	1
Q9	405 019 3804	TR 2SC536-G-NP-AA	1	D49	407 005 3805	DIODE DS442-BT	1
or	405 019 2708	TR 2SC536-F-NP-AA	1	D50	407 008 0405	DIODE GMB01-BT	1
Q10	405 019 3804	TR 2SC536-G-NP-AA	1	D51	407 008 0405	DIODE GMB01-BT	1
or	405 019 2708	TR 2SC536-F-NP-AA	1	D52	407 005 3805	DIODE DS442-BT	1
Q11	405 001 0408	TR RN1204	1	D53	407 008 0405	DIODE GMB01-BT	1
Q12	405 018 2600	TR 2SC3400	1	D54	407 008 0405	DIODE GMB01-BT	1
Q13	405 004 4502	TR 2SA608-F-NP-AA	1	D56	407 008 0405	DIODE GMB01-BT	1
Q14	405 019 3804	TR 2SC536-G-NP-AA	1	D58	407 008 0405	DIODE GMB01-BT	1
or	405 019 2708	TR 2SC536-F-NP-AA	1	D59	407 008 0405	DIODE GMB01-BT	1
Q15	405 019 3804	TR 2SC536-G-NP-AA	1	D60	407 008 0405	DIODE GMB01-BT	1
or	405 019 2708	TR 2SC536-F-NP-AA	1	D62	407 005 3805	DIODE DS442-BT	1
Q16	405 019 3804	TR 2SC536-G-NP-AA	1	D63	407 008 0405	DIODE GMB01-BT	1
or	405 019 2708	TR 2SC536-F-NP-AA	1	D64	407 008 0405	DIODE GMB01-BT	1
Q17	405 019 3804	TR 2SC536-G-NP-AA	1	D65	407 008 0405	DIODE GMB01-BT	1
or	405 019 2708	TR 2SC536-F-NP-AA	1	D66	407 008 0405	DIODE GMB01-BT	1
Q18	405 019 3804	TR 2SC536-G-NP-AA	1	D67	407 008 0405	DIODE GMB01-BT	1
or	405 019 2708	TR 2SC536-F-NP-AA	1	D68	407 008 0405	DIODE GMB01-BT	1
Q19	405 018 2600	TR 2SC3400	1	D69	407 008 0405	DIODE GMB01-BT	1
Q20	405 004 4502	TR 2SA608-F-NP-AA	1	D70	407 005 3805	DIODE DS442-BT	1
Q21	405 019 3804	TR 2SC536-G-NP-AA	1	D71	407 008 0405	DIODE GMB01-BT	1
				D72	407 008 7206	DIODE MA700	1

P.C.BOARD PARTS LIST (Continued)

Ref. No.	Part No.	Description	Q'ty	Ref. No.	Part No.	Description	Q'ty
D73	407 008 0405	DIODE GMB01-BT	1	D154	407 008 0405	DIODE GMB01-BT	1
D74	407 008 0405	DIODE GMB01-BT	1	D155	407 005 3805	DIODE DS442-BT	1
D75	407 008 0405	DIODE GMB01-BT	1	D156	407 008 0405	DIODE GMB01-BT	1
D76	407 008 0405	DIODE GMB01-BT	1	D157	407 008 0405	DIODE GMB01-BT	1
D77	407 008 0405	DIODE GMB01-BT	1	D158	407 008 0405	DIODE GMB01-BT	1
D78	407 008 0405	DIODE GMB01-BT	1	D159	407 008 0405	DIODE GMB01-BT	1
D79	407 008 0405	DIODE GMB01-BT	1	D160	407 008 7206	DIODE MA700	1
D80	407 008 0405	DIODE GMB01-BT	1	D161	407 008 0405	DIODE GMB01-BT	1
D81	407 008 0405	DIODE GMB01-BT	1	D162	407 008 0405	DIODE GMB01-BT	1
D82	407 008 0405	DIODE GMB01-BT	1	D163	407 008 0405	DIODE GMB01-BT	1
D83	407 008 0405	DIODE GMB01-BT	1	D164	407 050 5502	ZENER DIODE GZA5.6Y	1
D84	407 008 0405	DIODE GMB01-BT	1	D165	407 005 3805	DIODE DS442-BT	1
D85	407 008 0405	DIODE GMB01-BT	1	D166	407 005 3805	DIODE DS442-BT	1
D86	407 008 0405	DIODE GMB01-BT	1	D167	407 008 7206	DIODE MA700	1
D87	407 008 0405	DIODE GMB01-BT	1	D168	407 008 0405	DIODE GMB01-BT	1
D88	407 008 0405	DIODE GMB01-BT	1	D169	407 008 0405	DIODE GMB01-BT	1
D89	407 008 0405	DIODE GMB01-BT	1	D170	407 008 0405	DIODE GMB01-BT	1
D90	407 008 0405	DIODE GMB01-BT	1	D171	407 008 0405	DIODE GMB01-BT	1
D91	407 008 0405	DIODE GMB01-BT	1	D172	407 005 3805	DIODE DS442-BT	1
D92	407 008 0405	DIODE GMB01-BT	1	D173	407 008 0405	DIODE GMB01-BT	1
D93	407 008 0405	DIODE GMB01-BT	1	D174	407 008 0405	DIODE GMB01-BT	1
D94	407 008 0405	DIODE GMB01-BT	1	D175	407 008 0405	DIODE GMB01-BT	1
D95	407 008 0405	DIODE GMB01-BT	1	D176	407 008 0405	DIODE GMB01-BT	1
D96	407 008 0405	DIODE GMB01-BT	1	D177	407 008 7206	DIODE MA700	1
D97	407 008 0405	DIODE GMB01-BT	1	D178	407 008 7206	DIODE MA700	1
D98	407 008 7206	DIODE MA700	1	D179	407 008 0405	DIODE GMB01-BT	1
D99	407 008 0405	DIODE GMB01-BT	1	D180	407 008 7206	DIODE MA700	1
D100	407 008 0405	DIODE GMB01-BT	1	D181	407 008 0405	DIODE GMB01-BT	1
D101	407 008 0405	DIODE GMB01-BT	1	D182	407 005 3805	DIODE DS442-BT	1
D102	407 008 7206	DIODE MA700	1	D183	407 008 0405	DIODE GMB01-BT	1
D103	407 008 0405	DIODE GMB01-BT	1	D184	407 008 0405	DIODE GMB01-BT	1
D104	407 008 0405	DIODE GMB01-BT	1	D185	407 008 0405	DIODE GMB01-BT	1
D105	407 008 0405	DIODE GMB01-BT	1	D186	407 008 7206	DIODE MA700	1
D106	407 008 0405	DIODE GMB01-BT	1	D187	407 008 7206	DIODE MA700	1
D107	407 008 0405	DIODE GMB01-BT	1	D188	407 008 7206	DIODE MA700	1
D109	407 008 7206	DIODE MA700	1	D189	407 008 7206	DIODE MA700	1
D110	407 005 3805	DIODE DS442-BT	1	D190	407 008 0405	DIODE GMB01-BT	1
D112	407 005 3805	DIODE DS442-BT	1	D191	407 008 0405	DIODE GMB01-BT	1
D113	407 005 3805	DIODE DS442-BT	1	D192	407 005 3805	DIODE DS442-BT	1
D114	407 008 0405	DIODE GMB01-BT	1	D193	407 008 0405	DIODE GMB01-BT	1
D115	407 008 0405	DIODE GMB01-BT	1	D194	407 008 0405	DIODE GMB01-BT	1
D116	407 008 0405	DIODE GMB01-BT	1	D195	407 008 0405	DIODE GMB01-BT	1
D117	407 008 0405	DIODE GMB01-BT	1	D196	407 008 0405	DIODE GMB01-BT	1
D118	407 008 0405	DIODE GMB01-BT	1	C1	403 072 2703	CERAMIC 0.022U Z 50V	1
D119	407 008 0405	DIODE GMB01-BT	1	C2	403 050 1209	ELECT 2.2U M 50V	1
D120	407 008 0405	DIODE GMB01-BT	1	C3	403 050 1209	ELECT 2.2U M 50V	1
D121	407 008 0405	DIODE GMB01-BT	1	C4	403 072 2703	CERAMIC 0.022U Z 50V	1
D122	407 008 7206	DIODE MA700	1	C5	403 049 1609	ELECT 1U M 50V	1
D123	407 008 0405	DIODE GMB01-BT	1	C6	403 042 3600	ELECT 100U M 16V	1
D124	407 008 7206	DIODE MA700	1	C7	403 047 1502	ELECT 4.7U M 25V	1
D125	407 008 0405	DIODE GMB01-BT	1	C8	403 074 2701	CERAMIC 0.047U Z 50V	1
D126	407 008 7206	DIODE MA700	1	C9	403 038 2402	ELECT 100U M 6.3V	1
D127	407 008 0405	DIODE GMB01-BT	1	C10	403 049 1609	ELECT 1U M 50V	1
D128	407 008 7206	DIODE MA700	1	C11	403 050 1209	ELECT 2.2U M 50V	1
D129	407 008 0405	DIODE GMB01-BT	1	C12	403 050 1209	ELECT 2.2U M 50V	1
D130	407 008 0405	DIODE GMB01-BT	1	C13	403 072 2703	CERAMIC 0.022U Z 50V	1
D131	407 008 0405	DIODE GMB01-BT	1	C14	403 042 3600	ELECT 100U M 16V	1
D132	407 008 0405	DIODE GMB01-BT	1	C15	403 047 1502	ELECT 4.7U M 25V	1
D133	407 008 0405	DIODE GMB01-BT	1	C16	403 074 2701	CERAMIC 0.047U Z 50V	1
D134	407 008 0405	DIODE GMB01-BT	1	C17	403 038 2402	ELECT 100U M 6.3V	1
D135	407 008 0405	DIODE GMB01-BT	1	C18	403 072 2703	CERAMIC 0.022U Z 50V	1
D136	407 008 0405	DIODE GMB01-BT	1	C19	403 082 5503	POLYPRO 8200P J 100V	1
D137	407 008 0405	DIODE GMB01-BT	1	C20	403 069 8404	CERAMIC 0.01U Z 50V	1
D138	407 008 0405	DIODE GMB01-BT	1	C21	403 072 2703	CERAMIC 0.022U Z 50V	1
D139	407 008 0405	DIODE GMB01-BT	1	C22	403 072 2703	CERAMIC 0.022U Z 50V	1
D140	407 008 0405	DIODE GMB01-BT	1	C23	403 050 7706	ELECT 3.3U M 50V	1
D141	407 008 0405	DIODE GMB01-BT	1	C24	403 047 1502	ELECT 4.7U M 25V	1
D142	407 008 0405	DIODE GMB01-BT	1	C25	403 047 1502	ELECT 4.7U M 25V	1
D143	407 008 0405	DIODE GMB01-BT	1	C26	403 072 2703	CERAMIC 0.022U Z 50V	1
D144	407 008 0405	DIODE GMB01-BT	1	C27	403 047 9607	ELECT 0.1U M 50V	1
D145	407 008 0405	DIODE GMB01-BT	1	C28	403 047 9607	ELECT 0.1U M 50V	1
D146	407 008 0405	DIODE GMB01-BT	1	C29	403 049 1609	ELECT 1U M 50V	1
D147	407 008 0405	DIODE GMB01-BT	1	C30	403 050 1209	ELECT 2.2U M 50V	1
D148	407 008 0405	DIODE GMB01-BT	1	C31	403 072 2703	CERAMIC 0.022U Z 50V	1
D149	407 008 0405	DIODE GMB01-BT	1	C32	403 049 1609	ELECT 1U M 50V	1
D150	407 008 0405	DIODE GMB01-BT	1	C33	403 082 5503	POLYPRO 8200P J 100V	1
D151	407 008 0405	DIODE GMB01-BT	1	C34	403 069 8404	CERAMIC 0.01U Z 50V	1
D152	407 008 0405	DIODE GMB01-BT	1	C35	403 072 2703	CERAMIC 0.022U Z 50V	1
D153	407 008 0405	DIODE GMB01-BT	1	C36	403 072 2703	CERAMIC 0.022U Z 50V	1

P.C.BOARD PARTS LIST (Continued)

Ref. No.	Part No.	Description	Q'ty	Ref. No.	Part No.	Description	Q'ty
C37	403 049 1609	ELECT 1U M 50V	1	R39	401 025 3807	CARBON 180 JA 1/6W	1
C38	403 072 2703	CERAMIC 0.022U Z 50V	1	R40	401 026 3202	CARBON 30K JA 1/6W	1
C39	403 072 2703	CERAMIC 0.022U Z 50V	1	R41	401 027 0309	CARBON 47K JA 1/6W	1
C40	403 049 1609	ELECT 1U M 50V	1	R42	401 016 4806	CARBON 22K JA 1/4W	1
C41	403 049 1609	ELECT 1U M 50V	1	R43	401 025 8208	CARBON 22K JA 1/6W	1
C42	403 049 1609	ELECT 1U M 50V	1	R44	401 024 7707	CARBON 100K JA 1/6W	1
C43	403 049 1609	ELECT 1U M 50V	1	R45	401 026 4605	CARBON 33K JA 1/6W	1
C44	403 072 2703	CERAMIC 0.022U Z 50V	1	R46	401 024 7400	CARBON 10K JA 1/6W	1
C45	403 050 1209	ELECT 2.2U M 50V	1	R47	401 024 7400	CARBON 10K JA 1/6W	1
C46	403 042 9008	ELECT 22U M 16V	1	R48	401 012 5708	CARBON 1K JA 1/4W	1
C47	403 042 9008	ELECT 22U M 16V	1	R49	401 027 5908	CARBON 68K JA 1/6W	1
C48	403 042 9008	ELECT 22U M 16V	1	R50	401 027 5908	CARBON 68K JA 1/6W	1
C49	403 042 9008	ELECT 22U M 16V	1	R51	401 027 5908	CARBON 68K JA 1/6W	1
C50	403 049 1609	ELECT 1U M 50V	1	R52	401 027 5908	CARBON 68K JA 1/6W	1
C51	403 042 0302	ELECT 10U M 16V	1	R53	401 027 5908	CARBON 68K JA 1/6W	1
C52	403 069 8404	CERAMIC 0.01U Z 50V	1	R54	401 026 9907	CARBON 4.7K JA 1/6W	1
C53	403 069 8404	CERAMIC 0.01U Z 50V	1	R55	401 024 8001	CARBON 1M JA 1/6W	1
C54	403 069 8404	CERAMIC 0.01U Z 50V	1	R56	401 024 7707	CARBON 100K JA 1/6W	1
C55	403 069 8404	CERAMIC 0.01U Z 50V	1	R57	401 024 7400	CARBON 10K JA 1/6W	1
C56	403 069 8404	CERAMIC 0.01U Z 50V	1	R58	401 024 7400	CARBON 10K JA 1/6W	1
C57	403 050 1209	ELECT 2.2U M 50V	1	R59	401 025 2305	CARBON 150K JA 1/6W	1
C58	403 049 1609	ELECT 1U M 50V	1	R60	401 026 9303	CARBON 47 JA 1/6W	1
C59	403 049 1609	ELECT 1U M 50V	1	R61	401 012 7009	CARBON 10K JA 1/4W	1
C60	403 072 2703	CERAMIC 0.022U Z 50V	1	R62	401 025 8208	CARBON 22K JA 1/6W	1
C61	403 042 9008	ELECT 22U M 16V	1	R63	401 024 7707	CARBON 100K JA 1/6W	1
C62	403 049 1609	ELECT 1U M 50V	1	R64	401 026 9907	CARBON 4.7K JA 1/6W	1
C63	403 072 2703	CERAMIC 0.022U Z 50V	1	R65	401 024 7400	CARBON 10K JA 1/6W	1
C64	403 042 0302	ELECT 10U M 16V	1	R66	401 024 7707	CARBON 100K JA 1/6W	1
C65	403 039 7802	ELECT 100U M 10V	1	R67	401 024 7707	CARBON 100K JA 1/6W	1
C66	403 072 2703	CERAMIC 0.022U Z 50V	1	R68	401 026 3202	CARBON 30K JA 1/6W	1
C67	403 072 2703	CERAMIC 0.022U Z 50V	1	R69	401 024 7400	CARBON 10K JA 1/6W	1
C68	403 047 9607	ELECT 0.1U M 50V	1	R70	401 012 5708	CARBON 1K JA 1/4W	1
C69	403 047 9607	ELECT 0.1U M 50V	1	R71	401 024 7707	CARBON 100K JA 1/6W	1
C70	403 068 9105	CERAMIC 100P K 50V	1	R72	401 024 7707	CARBON 100K JA 1/6W	1
C71	403 068 9105	CERAMIC 100P K 50V	1	R73	401 024 7400	CARBON 10K JA 1/6W	1
C72	403 072 2703	CERAMIC 0.022U Z 50V	1	R74	401 024 7400	CARBON 10K JA 1/6W	1
C73	403 072 2703	CERAMIC 0.022U Z 50V	1	R75	401 027 5908	CARBON 68K JA 1/6W	1
C74	403 072 2703	CERAMIC 0.022U Z 50V	1	R77	401 024 7400	CARBON 10K JA 1/6W	1
C75	403 049 1609	ELECT 1U M 50V	1	R78	401 024 7400	CARBON 10K JA 1/6W	1
C76	403 049 1609	ELECT 1U M 50V	1	R79	401 024 7400	CARBON 10K JA 1/6W	1
C77	403 042 9008	ELECT 22U M 16V	1	R80	401 024 7400	CARBON 10K JA 1/6W	1
R1	401 022 1905	CARBON 680 JA 1/4W	1	R81	401 022 4104	CARBON 68K JA 1/4W	1
R2	401 024 7004	CARBON 1K JA 1/6W	1	R82	401 024 7400	CARBON 10K JA 1/6W	1
R3	401 024 7004	CARBON 1K JA 1/6W	1	R83	401 024 7707	CARBON 100K JA 1/6W	1
R4	401 026 0607	CARBON 270 JA 1/6W	1	R85	401 024 7400	CARBON 10K JA 1/6W	1
R5	401 017 0807	CARBON 270 JA 1/4W	1	R86	401 025 2305	CARBON 150K JA 1/6W	1
R6	401 025 3807	CARBON 180 JA 1/6W	1	R87	401 024 7400	CARBON 10K JA 1/6W	1
R7	401 025 3807	CARBON 180 JA 1/6W	1	R88	401 024 7400	CARBON 10K JA 1/6W	1
R8	401 026 9907	CARBON 4.7K JA 1/6W	1	R89	401 022 4104	CARBON 68K JA 1/4W	1
R9	401 027 2105	CARBON 56 JA 1/6W	1	R90	401 027 5908	CARBON 68K JA 1/6W	1
R10	401 025 1902	CARBON 15K JA 1/6W	1	R91	401 022 4104	CARBON 68K JA 1/4W	1
R11	401 025 6501	CARBON 20K JA 1/6W	1	R92	401 027 5908	CARBON 68K JA 1/6W	1
R12	401 012 5708	CARBON 1K JA 1/4W	1	R93	401 027 5908	CARBON 68K JA 1/6W	1
R13	401 026 9907	CARBON 4.7K JA 1/6W	1	R94	401 027 5908	CARBON 68K JA 1/6W	1
R14	401 095 1208	MT-FILM 620 JV 1/4W	1	R95	401 027 5908	CARBON 68K JA 1/6W	1
R15	401 026 6609	CARBON 390 JA 1/8W	1	R96	401 025 0004	CARBON 120K JA 1/6W	1
R16	401 024 9008	CARBON 120 JA 1/6W	1	R98	401 026 9907	CARBON 4.7K JA 1/6W	1
R17	401 024 6700	CARBON 100 JA 1/6W	1	R99	401 026 9907	CARBON 4.7K JA 1/6W	1
R18	402 015 8802	FUSIBLE RES 33 J-1/4W	1	R100	401 016 4806	CARBON 22K JA 1/4W	1
R19	401 024 7400	CARBON 10K JA 1/6W	1	R101	401 025 8208	CARBON 22K JA 1/6W	1
R20	401 024 7004	CARBON 1K JA 1/6W	1	R102	401 024 7707	CARBON 100K JA 1/6W	1
R21	401 024 8001	CARBON 1M JA 1/6W	1	R103	401 024 7707	CARBON 100K JA 1/6W	1
R22	401 024 7400	CARBON 10K JA 1/6W	1	R104	401 024 7707	CARBON 100K JA 1/6W	1
R23	401 024 7004	CARBON 1K JA 1/6W	1	R105	401 024 7707	CARBON 100K JA 1/6W	1
R24	401 024 8001	CARBON 1M JA 1/6W	1	R106	401 024 7400	CARBON 10K JA 1/6W	1
R25	401 024 7707	CARBON 100K JA 1/6W	1	R107	401 027 5205	CARBON 680 JA 1/6W	1
R26	401 024 7400	CARBON 10K JA 1/6W	1	R108	401 026 1307	CARBON 27K JA 1/6W	1
R27	401 024 6700	CARBON 100 JA 1/6W	1	R109	401 025 8208	CARBON 22K JA 1/6W	1
R28	402 015 8802	FUSIBLE RES 33 J-1/4W	1	R110	401 026 1307	CARBON 27K JA 1/6W	1
R29	401 024 7707	CARBON 100K JA 1/6W	1	R111	401 025 8208	CARBON 22K JA 1/6W	1
R30	401 027 2105	CARBON 56 JA 1/6W	1	R112	401 026 1307	CARBON 27K JA 1/6W	1
R31	401 025 1902	CARBON 15K JA 1/6W	1	R113	401 025 8208	CARBON 22K JA 1/6W	1
R32	401 025 6501	CARBON 20K JA 1/6W	1	R114	401 026 1307	CARBON 27K JA 1/6W	1
R33	401 095 1208	MT-FILM 620 JV 1/4W	1	R115	401 025 8208	CARBON 22K JA 1/6W	1
R34	401 026 6609	CARBON 390 JA 1/8W	1	R117	401 025 8208	CARBON 22K JA 1/6W	1
R35	401 024 9008	CARBON 120 JA 1/6W	1	R118	401 025 7805	CARBON 2.2K JA 1/6W	1
R36	401 026 9907	CARBON 4.7K JA 1/6W	1	R119	401 025 8208	CARBON 22K JA 1/6W	1
R37	401 025 3807	CARBON 180 JA 1/6W	1	R120	401 025 8208	CARBON 22K JA 1/6W	1
R38	401 026 6609	CARBON 390 JA 1/8W	1	R121	401 025 8208	CARBON 22K JA 1/6W	1

P.C.BOARD PARTS LIST (Continued)

Ref. No.	Part No.	Description	Q'ty	Ref. No.	Part No.	Description	Q'ty
R122	401 025 8208	CARBON 22K JA 1/6W	1	POWER AMPLIFIER P.C.B. ASSY			
R123	401 025 8208	CARBON 22K JA 1/6W	1	52	620 190 7322	Power Amplifier P.C.B. Assy	1
R124	401 024 7004	CARBON 1K JA 1/6W	1		620 017 2721	Fuse Clip	16
R125	401 024 7004	CARBON 1K JA 1/6W	1		620 017 7160	Socket 2P	1
R126	401 027 9005	CARBON 82K JA 1/6W	1		620 017 7177	Socket 2P	1
R127	401 024 8001	CARBON 1M JA 1/6W	1		620 022 2587	EC Terminal 1P	2
R128	401 027 5908	CARBON 68K JA 1/6W	1		620 022 3454	Terminal Lug	1
R129	401 027 5908	CARBON 68K JA 1/6W	1		620 022 4956	8P Push Terminal	1
R130	401 027 5908	CARBON 68K JA 1/6W	1		620 031 4763	Wire Wrap Terminal	14
R131	401 027 5908	CARBON 68K JA 1/6W	1		620 053 7025	Cover Safety	1
R132	401 024 7400	CARBON 10K JA 1/6W	1		620 053 9012	Plate Heat Sink	2
R133	401 024 7400	CARBON 10K JA 1/6W	1		411 020 8004	SCR S-TPG BRZ 3X8	4
R134	401 024 7400	CARBON 10K JA 1/6W	1	CA14	620 018 1549	Connector 4P Assy	1
R135	401 024 7400	CARBON 10K JA 1/6W	1	CA702	620 020 6853	Connector 1P Assy	1
R136	401 024 7400	CARBON 10K JA 1/6W	1	CA703	620 020 3241	Connector 1P Assy	1
R137	401 024 7400	CARBON 10K JA 1/6W	1	CN601	620 021 5954	Plug 6P	1
R138	401 024 7400	CARBON 10K JA 1/6W	1	CN771	620 021 8641	Plug	1
R139	401 024 7400	CARBON 10K JA 1/6W	1	CN802	620 021 8122	Plug 6P	1
R140	401 024 7004	CARBON 1K JA 1/6W	1	CN852	620 021 5930	Plug 4P	1
R141	401 024 7004	CARBON 1K JA 1/6W	1	CN871	620 021 7163	Plug 3P	1
R142	401 024 7004	CARBON 1K JA 1/6W	1	CN991	620 021 1970	Plug 2P	1
R143	401 024 7004	CARBON 1K JA 1/6W	1	F701△	423 007 2103	FUSE 250V T4.0A	1
R144	401 025 0004	CARBON 120K JA 1/6W	1	F702△	423 007 2103	FUSE 250V T4.0A	1
R145	401 025 0004	CARBON 120K JA 1/6W	1	F703△	423 005 5205	FUSE 250V T1.6A	1
R146	401 025 0004	CARBON 120K JA 1/6W	1	F704△	423 007 4404	FUSE 250V T5.0A	1
R147	401 025 0004	CARBON 120K JA 1/6W	1	F705△	423 007 4404	FUSE 250V T5.0A	1
R148	401 027 5205	CARBON 680 JA 1/6W	1	F706△	423 005 0507	FUSE 250V T1.0A	1
R150	401 024 7707	CARBON 100K JA 1/6W	1	F707△	423 006 4702	FUSE 250V T2.5A	1
R152	401 027 0309	CARBON 47K JA 1/6W	1	F708△	423 002 6106	FUSE 250V T160mA	1
R153	401 022 4104	CARBON 68K JA 1/4W	1	L701	620 026 5447	RF Filter (5μH)	1
R154	401 022 4104	CARBON 68K JA 1/4W	1	L702	620 026 5447	RF Filter (5μH)	1
R155	401 027 5908	CARBON 68K JA 1/6W	1	RY701	620 017 0406	Relay	1
R156	401 027 5908	CARBON 68K JA 1/6W	1	RY702	620 188 2483	Relay	1
R157	401 025 8208	CARBON 22K JA 1/6W	1	T701△	620 190 7858	Power Trans	1
R158	401 024 7004	CARBON 1K JA 1/6W	1	IC701	409 047 1405	IC STK4192MK2	1
R159	401 024 7004	CARBON 1K JA 1/6W	1	Q703	405 019 2708	TR 2SC536-F-NP-AA	1
R160	401 024 7004	CARBON 1K JA 1/6W	1	or	405 019 3804	TR 2SC536-G-NP-AA	1
R161	401 025 8208	CARBON 22K JA 1/6W	1	Q704	405 019 2708	TR 2SC536-F-NP-AA	1
R162	401 024 7707	CARBON 100K JA 1/6W	1	or	405 019 3804	TR 2SC536-G-NP-AA	1
R163	401 020 2904	CARBON 47K JA 1/4W	1	Q705	405 003 7702	TR 2SA1346	1
R164	401 024 7707	CARBON 100K JA 1/6W	1	Q706	405 018 2600	TR 2SC3400	1
R165	401 024 7400	CARBON 10K JA 1/6W	1	Q707	405 019 2708	TR 2SC536-F-NP-AA	1
R166	401 024 7707	CARBON 100K JA 1/6W	1	or	405 019 3804	TR 2SC536-G-NP-AA	1
R167	401 024 7400	CARBON 10K JA 1/6W	1	Q708	405 019 2708	TR 2SC536-F-NP-AA	1
R168	401 016 4806	CARBON 22K JA 1/4W	1	or	405 019 3804	TR 2SC536-G-NP-AA	1
R169	401 025 8208	CARBON 22K JA 1/6W	1	Q709	405 019 2708	TR 2SC536-F-NP-AA	1
R170	401 026 1307	CARBON 27K JA 1/6W	1	or	405 019 3804	TR 2SC536-G-NP-AA	1
R171	401 027 3201	CARBON 560K JA 1/6W	1	Q710	405 019 2708	TR 2SC536-F-NP-AA	1
R172	401 024 7004	CARBON 1K JA 1/6W	1	or	405 019 3804	TR 2SC536-G-NP-AA	1
R173	401 024 7400	CARBON 10K JA 1/6W	1	Q711	405 019 2708	TR 2SC536-F-NP-AA	1
R174	401 024 7400	CARBON 10K JA 1/6W	1	or	405 019 3804	TR 2SC536-G-NP-AA	1
R175	401 016 4806	CARBON 22K JA 1/4W	1	Q712	405 019 2708	TR 2SC536-F-NP-AA	1
R176	401 014 5201	CARBON 15K JA 1/4W	1	or	405 019 3804	TR 2SC536-G-NP-AA	1
R177	401 021 2200	CARBON 560 JA 1/4W	1	Q713	405 022 5000	TR 2SD1406-Y	1
R178	401 027 5205	CARBON 680 JA 1/6W	1	Q714	405 006 8102	TR 2SB1015-Y	1
R179	401 016 4806	CARBON 22K JA 1/4W	1	Q715	405 027 0505	TR 2SK246-GR	1
R180	401 014 5201	CARBON 15K JA 1/4W	1	Q716	405 027 0505	TR 2SK246-GR	1
R181	401 025 8208	CARBON 22K JA 1/6W	1	Q717	405 022 5000	TR 2SD1406-Y	1
R182	401 025 8208	CARBON 22K JA 1/6W	1	Q718	405 022 5000	TR 2SD1406-Y	1
R183	401 027 5908	CARBON 68K JA 1/6W	1	Q719	405 027 0505	TR 2SK246-GR	1
R184	401 024 7400	CARBON 10K JA 1/6W	1	Q720	405 019 2708	TR 2SC536-F-NP-AA	1
R185	401 024 7400	CARBON 10K JA 1/6W	1	or	405 019 3804	TR 2SC536-G-NP-AA	1
R186	401 027 5908	CARBON 68K JA 1/6W	1	Q721	405 019 2708	TR 2SC536-F-NP-AA	1
R187	401 024 7400	CARBON 10K JA 1/6W	1	or	405 019 3804	TR 2SC536-G-NP-AA	1
R188	401 024 7400	CARBON 10K JA 1/6W	1	D701	407 004 9105	DIODE DSF10C-BT	1
R190	401 025 4606	CARBON 18K JA 1/6W	1	D702	407 049 7005	ZENER DIODE GZA15Y	1
R191	401 020 2003	CARBON 4.7K JA 1/4W	1	D703	407 049 7005	ZENER DIODE GZA15Y	1
R192	401 026 9907	CARBON 4.7K JA 1/6W	1	D704	407 088 3105	DIODE DSC30TC-KD2	1
R193	401 025 8208	CARBON 22K JA 1/6W	1	D705	407 088 3105	DIODE DSC30TC-KD2	1
R194	401 012 5708	CARBON 1K JA 1/4W	1	D706	407 088 3105	DIODE DSC30TC-KD2	1
R195	401 024 7400	CARBON 10K JA 1/6W	1	D707	407 088 3105	DIODE DSC30TC-KD2	1
R196	401 024 7707	CARBON 100K JA 1/6W	1	D708	407 004 9105	DIODE DSF10C-BT	1
R197	401 024 7004	CARBON 1K JA 1/6W	1	D709	407 004 9105	DIODE DSF10C-BT	1
R198	401 027 0309	CARBON 47K JA 1/6W	1	D710	407 004 9105	DIODE DSF10C-BT	1
R199	401 027 0309	CARBON 47K JA 1/6W	1	D711	407 004 9105	DIODE DSF10C-BT	1
R200	401 024 7004	CARBON 1K JA 1/6W	1	D712	407 049 6602	ZENER DIODE GZA13Y	1
R201	401 025 8208	CARBON 22K JA 1/6W	1	D713	407 004 9105	DIODE DSF10C-BT	1
				D714	407 049 6305	ZENER DIODE GZA12Y	1
				D715	407 050 4802	ZENER DIODE GZA5.1Y	1

P.C.BOARD PARTS LIST (Continued)

Ref. No.	Part No.	Description	Q'ty	Ref. No.	Part No.	Description	Q'ty
D716	407 109 9802	DIODE DBF10C	1	R725	401 024 7400	CARBON 10K JA 1/6W	1
C701	403 074 5801	CERAMIC 560P K 50V	1	R726	401 026 7408	CARBON 39K JA 1/6W	1
C702	403 074 5801	CERAMIC 560P K 50V	1	R727	401 016 3809	CARBON 2.2K JA 1/4W	1
C703	403 050 1308	ELECT 2.2U M 50V	1	R728	401 012 5708	CARBON 1K JA 1/4W	1
C704	403 050 1308	ELECT 2.2U M 50V	1	R729	401 024 7400	CARBON 10K JA 1/6W	1
C705	403 071 5903	CERAMIC 220P K 50V	1	R730	401 016 4806	CARBON 22K JA 1/4W	1
C706	403 071 5903	CERAMIC 220P K 50V	1	R731	401 026 9907	CARBON 4.7K JA 1/6W	1
C707	403 039 7901	ELECT 100U M 10V	1	R732	401 027 0309	CARBON 47K JA 1/6W	1
C708	403 039 7901	ELECT 100U M 10V	1	R735	402 016 5404	FUSIBLE RES 4.7 J- 1/2W	1
C709	403 051 3905	ELECT 47U M 50V	1	R736	402 016 5404	FUSIBLE RES 4.7 J- 1/2W	1
C710	403 051 3905	ELECT 47U M 50V	1	R737	401 054 8002	OXIDE-MT 100 JB 1/2W	1
C711	403 051 3905	ELECT 47U M 50V	1	R738	401 054 8002	OXIDE-MT 100 JB 1/2W	1
C712	403 051 3905	ELECT 47U M 50V	1	R739	401 055 1804	OXIDE-MT 150 JB 1/2W	1
C713	403 051 3905	ELECT 47U M 50V	1	R740	401 016 4806	CARBON 22K JA 1/4W	1
C714	403 049 7304	ELECT 100U M 50V	1	R741	401 019 4001	CARBON 390K JA 1/4W	1
C715	403 063 0503	POLYESTER 6800P K 50V	1	R742	401 024 6700	CARBON 100 JA 1/6W	1
C716	403 063 0503	POLYESTER 6800P K 50V	1	R743	401 024 7400	CARBON 10K JA 1/6W	1
C717	403 067 5603	MT-COMPO 0.1U J 50V	1	R744	402 016 5503	FUSIBLE RES 47 J- 1/2W	1
C718	403 067 5603	MT-COMPO 0.1U J 50V	1	R745	402 016 5503	FUSIBLE RES 47 J- 1/2W	1
C719	403 069 0705	CERAMIC 1000P K 50V	1	R746	402 015 9106	FUSIBLE RES 4.7 J- 1/4W	1
C720	403 069 0705	CERAMIC 1000P K 50V	1	or	402 016 1000	FUSIBLE RES 0.47 J- 1/2W	1
C721	403 072 2703	CERAMIC 0.022U Z 50V	1	R747	402 016 1109	FUSIBLE RES 1 J- 1/2W	1
C722	403 072 2703	CERAMIC 0.022U Z 50V	1	R748	401 020 0801	CARBON 470 JA 1/4W	1
C723	403 085 7603	NP-ELECT 10U M 25V	1	R749	401 021 1906	CARBON 560 JA 1/4W	1
C724	403 039 7901	ELECT 100U M 10V	1	R750	401 021 1906	CARBON 560 JA 1/4W	1
C725	404 012 6201	ELECT 6800U M 50V	1	R751	401 017 1804	CARBON 2.7K JA 1/4W	1
C726	404 012 6201	ELECT 6800U M 50V	1	R752	402 034 4700	FUSIBLE RES 0.47 J- 1/2W	1
C727	404 012 7000	CERAMIC 0.01U P 500V	1	HEAD PHONE P.C.B. ASSY			
C728	404 012 7000	CERAMIC 0.01U P 500V	1	53	620 190 7339	Head Phone P.C.B. Assy	1
C729	404 012 7000	CERAMIC 0.01U P 500V	1		620 018 0443	Jack 7P	1
C730	404 012 7000	CERAMIC 0.01U P 500V	1	CA771	620 017 3001	Connector 5P Assy	1
C731	403 049 5508	ELECT 10U M 50V	1	C771	403 071 5903	CERAMIC 220P K 50V	1
C732	403 049 5508	ELECT 10U M 50V	1	C772	403 071 5903	CERAMIC 220P K 50V	1
C733	403 049 5508	ELECT 10U M 50V	1	R771	401 060 7501	OXIDE-MT 270 JB 1W	1
C734	403 049 5508	ELECT 10U M 50V	1	R772	401 060 7501	OXIDE-MT 270 JB 1W	1
C735	404 012 7000	CERAMIC 0.01U P 500V	1	R773	401 055 1804	OXIDE-MT 150 JB 1/2W	1
C736	404 012 7000	CERAMIC 0.01U P 500V	1	R774	401 055 1804	OXIDE-MT 150 JB 1/2W	1
C737	404 012 7000	CERAMIC 0.01U P 500V	1	MASTER VOLUME P.C.B. ASSY			
C738	404 012 7000	CERAMIC 0.01U P 500V	1	54	620 190 7346	Master Volume P.C.B. Assy	1
C739	403 046 0605	ELECT 2200U M 25V	1	CA13	620 017 7498	Connector 7P Assy	1
C740	403 049 5508	ELECT 10U M 50V	1	CA871	620 018 0948	Connector 3P Assy	1
C741	403 049 5508	ELECT 10U M 50V	1	CN872	620 021 5923	Plug 3P	1
C742	403 049 5508	ELECT 10U M 50V	1	CN881	620 021 7620	Plug 2P	1
C743	403 046 4603	ELECT 33U M 25V	1	VR871	620 006 3784	Motor Volume (A-20kx2)	1
C744	403 039 7901	ELECT 100U M 10V	1	IC871	409 114 4803	IC LB1641	1
C745	403 047 6309	ELECT 470U M 25V	1	Q871	405 021 0204	TR 2SD1012-F-SPA-AC	1
C746	403 069 8404	CERAMIC 0.01U Z 50V	1	or	405 021 0600	TR 2SD1012-G-SPA-AC	1
C747	403 069 8404	CERAMIC 0.01U Z 50V	1	Q872	405 021 0204	TR 2SD1012-F-SPA-AC	1
C748	403 069 8404	CERAMIC 0.01U Z 50V	1	or	405 021 0600	TR 2SD1012-G-SPA-AC	1
C749	403 069 8404	CERAMIC 0.01U Z 50V	1	D871	407 049 8507	ZENER DIODE GZA2.2X	1
C750	620 006 6679	Capacitor 0.01MF400V	1	D872	407 049 8507	ZENER DIODE GZA2.2X	1
C753	403 074 2701	CERAMIC 0.047U Z 50V	1	D873	407 050 3706	ZENER DIODE GZA4.7Y	1
C757	403 071 5903	CERAMIC 220P K 50V	1	C871	403 067 5900	MT-COMPO 0.12U J 50V	1
C758	403 071 5903	CERAMIC 220P K 50V	1	C872	403 067 5900	MT-COMPO 0.12U J 50V	1
C759	403 074 2701	CERAMIC 0.047U Z 50V	1	C875	403 057 0908	POLYESTER 0.01U K 50V	1
C760	403 074 2701	CERAMIC 0.047U Z 50V	1	C876	403 067 5603	MT-COMPO 0.1U J 50V	1
C761	403 069 8404	CERAMIC 0.01U Z 50V	1	R871	401 026 7002	CARBON 3.9K JA 1/6W	1
C762	403 069 8404	CERAMIC 0.01U Z 50V	1	R872	401 026 7002	CARBON 3.9K JA 1/6W	1
R701	401 025 7805	CARBON 2.2K JA 1/6W	1	R873	401 027 0309	CARBON 47K JA 1/6W	1
R702	401 025 7805	CARBON 2.2K JA 1/6W	1	R874	401 027 0309	CARBON 47K JA 1/6W	1
R705	401 027 3003	CARBON 56K JA 1/6W	1	R875	401 024 7400	CARBON 10K JA 1/6W	1
R706	401 027 3003	CARBON 56K JA 1/6W	1	R876	401 024 7400	CARBON 10K JA 1/6W	1
R707	401 026 6609	CARBON 390 JA 1/6W	1	R877	401 058 1207	OXIDE-MT 10 JB 1W	1
R708	401 026 6609	CARBON 390 JA 1/6W	1	LAMP P.C.B. ASSY			
R709	401 021 4105	CARBON 56K JA 1/4W	1	55	620 190 7353	Lamp P.C.B. Assy	1
R710	401 021 4105	CARBON 56K JA 1/4W	1		620 030 8144	Lamp	2
R711	401 018 3807	CARBON 3.3K JA 1/4W	1		620 052 0171	Spacer	2
R712	401 018 3807	CARBON 3.3K JA 1/4W	1	CA991	620 020 5450	Connector 2P Assy	1
R713	401 085 6008	OXIDE-MT 3.3K JB 1/2W	1	R991	402 016 1208	FUSIBLE RES 10 J- 1/2W	1
R714	401 085 6008	OXIDE-MT 3.3K JB 1/2W	1	DECK AMPLIFIER P.C.B. ASSY			
R715	401 056 4002	OXIDE-MT 4.7K JA 1/2W	1	56	620 190 7360	Deck Amplifier P.C.B. Assy	1
R716	402 016 4605	FUSIBLE RES 100 J- 1/2W	1		620 017 2448	Pin Jack 4P	1
R717	402 016 4605	FUSIBLE RES 100 J- 1/2W	1		620 017 2516	Pin Jack 2P	1
R719	401 024 7400	CARBON 10K JA 1/6W	1		620 031 4763	Wire Wrap Terminal	8
R720	401 024 7400	CARBON 10K JA 1/6W	1		620 186 7275	Plate Earth	1
R721	401 027 9005	CARBON 82K JA 1/6W	1				
R722	401 027 9005	CARBON 82K JA 1/6W	1				
R723	401 024 7400	CARBON 10K JA 1/6W	1				
R724	401 024 7400	CARBON 10K JA 1/6W	1				

P.C.BOARD PARTS LIST (Continued)

Ref. No.	Part No.	Description	Q'ty	Ref. No.	Part No.	Description	Q'ty
CA1	620 017 7481	Connector 5P Assy	1	Q410	405 019 2708	TR 2SC536-F-NP-AA	1
CA2	620 018 1099	Connector 7P Assy	1	or	405 019 3804	TR 2SC536-G-NP-AA	1
CA3	620 018 1105	Connector 9P Assy	1	Q411	405 019 2708	TR 2SC536-F-NP-AA	1
CA5	620 018 1129	Connector 8P Assy	1	or	405 019 3804	TR 2SC536-G-NP-AA	1
CA6	620 018 1136	Connector 7P Assy	1	Q412	405 034 9607	TR DTC114-YS	1
CA10	620 018 1167	Connector 7P Assy	1	Q413	405 034 7306	TR DTA114-YS	1
CA601	620 190 8305	Connector 6P Assy	1	Q414	405 034 9607	TR DTC114-YS	1
CN401	620 021 5923	Plug 3P	1	Q415	405 019 2708	TR 2SC536-F-NP-AA	1
CN402	620 021 3950	Plug 6P	1	or	405 019 3804	TR 2SC536-G-NP-AA	1
CN403	620 021 1970	Plug 2P	1	Q416	405 019 2708	TR 2SC536-F-NP-AA	1
CN404	620 021 7491	Plug 2P	1	or	405 019 3804	TR 2SC536-G-NP-AA	1
CN405	620 021 1970	Plug 2P	1	Q417	405 021 0600	TR 2SD1012-G-SPA-AC	1
CN406	620 022 0798	Plug 10P	1	or	405 021 0907	TR 2SD1012-H-SPA-AC	1
CN407	620 021 6609	Plug 10P	1	Q418	405 021 0600	TR 2SD1012-G-SPA-AC	1
CN801	620 021 6234	Plug 7P	1	or	405 021 0907	TR 2SD1012-H-SPA-AC	1
CN804	620 021 9198	Plug 3P	1	Q419	405 019 2708	TR 2SC536-F-NP-AA	1
CN891	620 021 2106	Plug 8P	1	or	405 019 3804	TR 2SC536-G-NP-AA	1
L401	620 026 4631	Bias Trap 105 Shield	1	Q420	405 019 2708	TR 2SC536-F-NP-AA	1
L402	620 026 4631	Bias Trap 105 Shield	1	or	405 019 3804	TR 2SC536-G-NP-AA	1
L403	620 027 1912	AF Coil	1	Q421	405 021 0600	TR 2SD1012-G-SPA-AC	1
L404	620 027 1912	AF Coil	1	or	405 021 0907	TR 2SD1012-H-SPA-AC	1
L405	620 026 4440	Bias Trap	1	Q422	405 021 0600	TR 2SD1012-G-SPA-AC	1
L406	620 026 4440	Bias Trap	1	or	405 021 0907	TR 2SD1012-H-SPA-AC	1
T401	620 029 5864	Filter Dolby	1	Q423	405 019 2708	TR 2SC536-F-NP-AA	1
T402	620 029 5864	Filter Dolby	1	or	405 019 3804	TR 2SC536-G-NP-AA	1
T403	620 028 8668	Coil OSC	1	Q424	405 019 2708	TR 2SC536-F-NP-AA	1
VR401	620 006 1346	Potentiometer (220Ω)	1	or	405 019 3804	TR 2SC536-G-NP-AA	1
or	620 006 1988	Potentiometer (B-200Ω)	1	Q425	405 019 2708	TR 2SC536-F-NP-AA	1
VR402	620 006 1346	Potentiometer (220Ω)	1	or	405 019 3804	TR 2SC536-G-NP-AA	1
or	620 006 1988	Potentiometer (B-200Ω)	1	Q426	405 019 2708	TR 2SC536-F-NP-AA	1
VR403	620 006 1346	Potentiometer (220Ω)	1	or	405 019 3804	TR 2SC536-G-NP-AA	1
or	620 006 1988	Potentiometer (B-200Ω)	1	Q427	405 019 2708	TR 2SC536-F-NP-AA	1
VR404	620 006 1346	Potentiometer (220Ω)	1	or	405 019 3804	TR 2SC536-G-NP-AA	1
or	620 006 1988	Potentiometer (B-200Ω)	1	Q428	405 019 2708	TR 2SC536-F-NP-AA	1
VR405	620 006 1353	Potentiometer (B-100kΩ)	1	or	405 019 3804	TR 2SC536-G-NP-AA	1
or	620 006 1933	Potentiometer (B-100kΩ)	1	Q429	405 019 2708	TR 2SC536-F-NP-AA	1
VR406	620 006 1353	Potentiometer (B-100kΩ)	1	or	405 019 3804	TR 2SC536-G-NP-AA	1
or	620 006 1933	Potentiometer (B-100kΩ)	1	Q430	405 019 2708	TR 2SC536-F-NP-AA	1
IC301	409 020 9800	IC LC4081B	1	or	405 019 3804	TR 2SC536-G-NP-AA	1
IC302	409 020 9800	IC LC4081B	1	Q431	405 019 2708	TR 2SC536-F-NP-AA	1
IC303	409 020 8308	IC LC4049B	1	or	405 019 3804	TR 2SC536-G-NP-AA	1
IC304	409 020 8308	IC LC4049B	1	Q432	405 019 2708	TR 2SC536-F-NP-AA	1
IC401	409 166 7708	IC M5246P	1	or	405 019 3804	TR 2SC536-G-NP-AA	1
IC402	409 016 7704	IC LA3160	1	Q433	405 019 2708	TR 2SC536-F-NP-AA	1
IC403	409 145 8405	IC UPC1330HA	1	or	405 019 3804	TR 2SC536-G-NP-AA	1
IC404	409 020 8704	IC LC4066B	1	Q434	405 019 2708	TR 2SC536-F-NP-AA	1
IC405	409 016 5502	IC LA2000	1	or	405 019 3804	TR 2SC536-G-NP-AA	1
IC406	409 119 9803	IC CXA1101P	1	Q435	405 019 2708	TR 2SC536-F-NP-AA	1
IC407	409 018 5401	IC LA6462S	1	or	405 019 3804	TR 2SC536-G-NP-AA	1
IC601	409 053 0300	IC TC9152P	1	Q436	405 019 2708	TR 2SC536-F-NP-AA	1
IC602	409 018 4503	IC LA6458DS	1	or	405 019 3804	TR 2SC536-G-NP-AA	1
IC603	409 018 4503	IC LA6458DS	1	Q437	405 019 2708	TR 2SC536-F-NP-AA	1
Q301	405 003 7702	TR 2SA1346	1	or	405 019 3804	TR 2SC536-G-NP-AA	1
Q302	405 003 7702	TR 2SA1346	1	Q438	405 019 2708	TR 2SC536-F-NP-AA	1
Q303	405 003 7702	TR 2SA1346	1	or	405 019 3804	TR 2SC536-G-NP-AA	1
Q304	405 018 2600	TR 2SC3400	1	Q439	405 019 2708	TR 2SC536-F-NP-AA	1
Q305	405 018 2600	TR 2SC3400	1	or	405 019 3804	TR 2SC536-G-NP-AA	1
Q306	405 019 2708	TR 2SC536-F-NP-AA	1	Q440	405 019 2708	TR 2SC536-F-NP-AA	1
or	405 019 3804	TR 2SC536-G-NP-AA	1	or	405 019 3804	TR 2SC536-G-NP-AA	1
Q307	405 019 2708	TR 2SC536-F-NP-AA	1	Q441	405 019 2708	TR 2SC536-F-NP-AA	1
or	405 019 3804	TR 2SC536-G-NP-AA	1	or	405 019 3804	TR 2SC536-G-NP-AA	1
Q401	405 019 2708	TR 2SC536-F-NP-AA	1	Q442	405 019 2708	TR 2SC536-F-NP-AA	1
or	405 019 3804	TR 2SC536-G-NP-AA	1	or	405 019 3804	TR 2SC536-G-NP-AA	1
Q402	405 019 2708	TR 2SC536-F-NP-AA	1	Q443	405 019 2708	TR 2SC536-F-NP-AA	1
or	405 019 3804	TR 2SC536-G-NP-AA	1	or	405 019 3804	TR 2SC536-G-NP-AA	1
Q403	405 021 0600	TR 2SD1012-G-SPA-AC	1	Q444	405 034 9607	TR DTC114-YS	1
or	405 021 0907	TR 2SD1012-H-SPA-AC	1	Q445	405 034 9607	TR DTC114-YS	1
Q404	405 021 0600	TR 2SD1012-G-SPA-AC	1	Q446	405 006 6702	TR 2SA984-F	1
or	405 021 0907	TR 2SD1012-H-SPA-AC	1	or	405 006 6504	TR 2SA984-E	1
Q405	405 021 0600	TR 2SD1012-G-SPA-AC	1	Q447	405 034 9607	TR DTC114-YS	1
or	405 021 0907	TR 2SD1012-H-SPA-AC	1	Q448	405 006 6702	TR 2SA984-F	1
Q406	405 021 0600	TR 2SD1012-G-SPA-AC	1	or	405 006 6504	TR 2SA984-E	1
or	405 021 0907	TR 2SD1012-H-SPA-AC	1	Q449	405 018 7209	TR 2SC3708-S	1
Q407	405 019 2708	TR 2SC536-F-NP-AA	1	or	405 018 7308	TR 2SC3708-T	1
or	405 019 3804	TR 2SC536-G-NP-AA	1	Q450	405 034 7306	TR DTA114-YS	1
Q408	405 019 2708	TR 2SC536-F-NP-AA	1	Q451	405 034 7306	TR DTA114-YS	1
or	405 019 3804	TR 2SC536-G-NP-AA	1	Q452	405 034 7306	TR DTA114-YS	1
Q409	405 019 2708	TR 2SC536-F-NP-AA	1	Q453	405 034 7306	TR DTA114-YS	1
or	405 019 3804	TR 2SC536-G-NP-AA	1	Q454	405 034 7306	TR DTA114-YS	1

P.C.BOARD PARTS LIST (Continued)

Ref. No.	Part No.	Description	Q'ty	Ref. No.	Part No.	Description	Q'ty
Q455	405 034 7306	TR DTA114-YS	1	C417	403 049 5508	ELECT 10U M 50V	1
Q456	405 034 9607	TR DTC114-YS	1	C418	403 049 5508	ELECT 10U M 50V	1
Q457	405 034 9607	TR DTC114-YS	1	C419	403 044 0300	ELECT 47U M 16V	1
Q458	405 034 9607	TR DTC114-YS	1	C420	403 044 0300	ELECT 47U M 16V	1
Q459	405 034 9607	TR DTC114-YS	1	C421	403 059 6601	POLYESTER 0.022U K 50V	1
Q460	405 034 9607	TR DTC114-YS	1	C422	403 059 6601	POLYESTER 0.022U K 50V	1
Q461	405 034 9607	TR DTC114-YS	1	C423	403 051 2106	ELECT 4.7U M 50V	1
Q601	405 039 5802	TR 2SC3792	1	C424	403 051 2106	ELECT 4.7U M 50V	1
Q602	405 039 5802	TR 2SC3792	1	C425	403 057 8003	POLYESTER 0.012U K 50V	1
Q603	405 004 4502	TR 2SA608-F-NP-AA	1	C426	403 057 8003	POLYESTER 0.012U K 50V	1
Q604	405 018 2600	TR 2SC3400	1	C427	403 050 1308	ELECT 2.2U M 50V	1
D301	407 008 0405	DIODE GMB01-BT	1	C428	403 050 1308	ELECT 2.2U M 50V	1
D302	407 008 0405	DIODE GMB01-BT	1	C429	403 042 3600	ELECT 100U M 16V	1
D303	407 008 0405	DIODE GMB01-BT	1	C430	403 074 6303	CERAMIC 560P K 50V	1
D304	407 008 0405	DIODE GMB01-BT	1	C431	403 048 7701	ELECT 0.47U M 50V	1
D305	407 008 0405	DIODE GMB01-BT	1	C432	403 042 3600	ELECT 100U M 16V	1
D306	407 008 0405	DIODE GMB01-BT	1	C433	403 044 3004	ELECT 470U M 16V	1
D307	407 008 0405	DIODE GMB01-BT	1	C434	403 048 3208	ELECT 0.22U M 50V	1
D308	407 008 0405	DIODE GMB01-BT	1	C435	403 049 5508	ELECT 10U M 50V	1
D309	407 008 0405	DIODE GMB01-BT	1	C436	403 044 0300	ELECT 47U M 16V	1
D310	407 008 0405	DIODE GMB01-BT	1	C437	403 073 6502	CERAMIC 470P K 50V	1
D311	407 008 0405	DIODE GMB01-BT	1	C438	403 073 6502	CERAMIC 470P K 50V	1
D312	407 008 0405	DIODE GMB01-BT	1	C439	403 049 1708	ELECT 1U M 50V	1
D313	407 008 0405	DIODE GMB01-BT	1	C440	403 049 1708	ELECT 1U M 50V	1
D314	407 008 0405	DIODE GMB01-BT	1	C441	403 050 1308	ELECT 2.2U M 50V	1
D315	407 005 3805	DIODE DS442-BT	1	C442	403 050 1308	ELECT 2.2U M 50V	1
D316	407 005 3805	DIODE DS442-BT	1	C443	403 049 5508	ELECT 10U M 50V	1
D317	407 005 3805	DIODE DS442-BT	1	C444	403 049 5508	ELECT 10U M 50V	1
D318	407 008 0405	DIODE GMB01-BT	1	C445	403 081 4705	POLYPRO 2700P J 100V	1
D319	407 008 0405	DIODE GMB01-BT	1	C446	403 081 4705	POLYPRO 2700P J 100V	1
D320	407 008 0405	DIODE GMB01-BT	1	C447	403 051 2106	ELECT 4.7U M 50V	1
D321	407 008 0405	DIODE GMB01-BT	1	C448	403 051 2106	ELECT 4.7U M 50V	1
D322	407 008 0405	DIODE GMB01-BT	1	C449	403 044 3004	ELECT 470U M 16V	1
D323	407 050 4802	ZENER DIODE GZA5.1Y-BT	1	C450	403 044 3004	ELECT 470U M 16V	1
D324	407 008 0405	DIODE GMB01-BT	1	C451	403 051 2106	ELECT 4.7U M 50V	1
D325	407 008 0405	DIODE GMB01-BT	1	C452	403 051 2106	ELECT 4.7U M 50V	1
D326	407 005 3805	DIODE DS442-BT	1	C453	403 051 2106	ELECT 4.7U M 50V	1
D327	407 008 0405	DIODE GMB01-BT	1	C454	403 051 2106	ELECT 4.7U M 50V	1
D328	407 008 0405	DIODE GMB01-BT	1	C455	403 067 8307	MT-COMPO 0.68U J 50V	1
D329	407 008 0405	DIODE GMB01-BT	1	C456	403 067 8307	MT-COMPO 0.68U J 50V	1
D330	407 008 0405	DIODE GMB01-BT	1	C457	403 049 5508	ELECT 10U M 50V	1
D331	407 004 9105	DIODE DSF10C-BT	1	C458	403 049 5508	ELECT 10U M 50V	1
D333	407 008 0405	DIODE GMB01-BT	1	C459	403 049 1708	ELECT 1U M 50V	1
D334	407 008 0405	DIODE GMB01-BT	1	C460	403 049 1708	ELECT 1U M 50V	1
D335	407 008 0405	DIODE GMB01-BT	1	C461	403 049 1708	ELECT 1U M 50V	1
D336	407 008 0405	DIODE GMB01-BT	1	C462	403 049 1708	ELECT 1U M 50V	1
D337	407 008 0405	DIODE GMB01-BT	1	C463	403 051 2106	ELECT 4.7U M 50V	1
D338	407 008 0405	DIODE GMB01-BT	1	C464	403 051 2106	ELECT 4.7U M 50V	1
C301	403 050 1308	ELECT 2.2U M 50V	1	C465	403 046 4603	ELECT 33U M 25V	1
C302	403 050 1308	ELECT 2.2U M 50V	1	C466	403 042 3600	ELECT 100U M 16V	1
C303	403 050 1308	ELECT 2.2U M 50V	1	C467	403 050 1308	ELECT 2.2U M 50V	1
C304	403 050 1308	ELECT 2.2U M 50V	1	C468	403 050 1308	ELECT 2.2U M 50V	1
C305	403 050 1308	ELECT 2.2U M 50V	1	C469	403 067 6204	MT-COMPO 0.15U J 50V	1
C306	403 050 1308	ELECT 2.2U M 50V	1	C470	403 067 6204	MT-COMPO 0.15U J 50V	1
C307	403 050 3708	ELECT 22U M 50V	1	C471	403 044 0300	ELECT 47U M 16V	1
C308	403 050 3708	ELECT 22U M 50V	1	C472	403 044 0300	ELECT 47U M 16V	1
C309	403 050 3708	ELECT 22U M 50V	1	C473	403 050 3708	ELECT 22U M 50V	1
C310	403 050 3708	ELECT 22U M 50V	1	C474	403 050 3708	ELECT 22U M 50V	1
C311	403 050 3708	ELECT 22U M 50V	1	C475	403 058 3700	POLYESTER 0.015U K 50V	1
C312	403 049 1708	ELECT 1U M 50V	1	C476	403 058 3700	POLYESTER 0.015U K 50V	1
C313	403 042 3600	ELECT 100U M 16V	1	C477	403 057 8003	POLYESTER 0.012U K 50V	1
C314	403 039 7901	ELECT 100U M 10V	1	C478	403 057 8003	POLYESTER 0.012U K 50V	1
C315	403 050 1308	ELECT 2.2U M 50V	1	C479	403 057 0908	POLYESTER 0.01U K 50V	1
C401	403 071 5903	CERAMIC 220P K 50V	1	C480	403 057 0908	POLYESTER 0.01U K 50V	1
C402	403 071 5903	CERAMIC 220P K 50V	1	C481	403 062 5608	POLYESTER 5600P K 50V	1
C403	403 072 7906	CERAMIC 330P K 50V	1	C482	403 062 5608	POLYESTER 5600P K 50V	1
C404	403 072 7906	CERAMIC 330P K 50V	1	C483	403 063 0503	POLYESTER 6800P K 50V	1
C405	403 049 5508	ELECT 10U M 50V	1	C484	403 063 0503	POLYESTER 6800P K 50V	1
C406	403 049 5508	ELECT 10U M 50V	1	C485	403 073 6502	CERAMIC 470P K 50V	1
C407	403 046 4603	ELECT 33U M 25V	1	C486	403 073 6502	CERAMIC 470P K 50V	1
C408	403 046 4603	ELECT 33U M 25V	1	C487	403 042 3600	ELECT 100U M 16V	1
C409	403 059 0401	POLYESTER 0.018U K 50V	1	C490	403 050 1308	ELECT 2.2U M 50V	1
C410	403 059 0401	POLYESTER 0.018U K 50V	1	C491	403 048 7701	ELECT 0.47U M 50V	1
C411	403 051 2106	ELECT 4.7U M 50V	1	C492	403 048 7701	ELECT 0.47U M 50V	1
C412	403 051 2106	ELECT 4.7U M 50V	1	C493	403 001 1906	CERAMIC 0.01U M 16V	1
C413	403 050 1308	ELECT 2.2U M 50V	1	C494	403 057 0908	POLYESTER 0.01U K 50V	1
C414	403 050 1308	ELECT 2.2U M 50V	1	C495	403 057 0908	POLYESTER 0.01U K 50V	1
C415	403 069 0705	CERAMIC 1000P K 50V	1	C496	403 042 3600	ELECT 100U M 16V	1
C416	403 069 0705	CERAMIC 1000P K 50V	1	C497	403 071 5903	CERAMIC 220P K 50V	1

P.C.BOARD PARTS LIST (Continued)

Ref. No.	Part No.	Description	Q'ty	Ref. No.	Part No.	Description	Q'ty
C498	403 071 5903	CERAMIC 220P K 50V	1	R329	401 025 7805	CARBON 2.2K JA 1/6W	1
C499	403 083 2105	POLYPRO 0.01U J 250V	1	R330	401 025 1902	CARBON 15K JA 1/6W	1
C500	403 044 0300	ELECT 47U M 16V	1	R331	401 025 2305	CARBON 150K JA 1/6W	1
C501	403 042 3600	ELECT 100U M 16V	1	R332	401 025 7805	CARBON 2.2K JA 1/6W	1
C502	403 042 3600	ELECT 100U M 16V	1	R333	401 024 7400	CARBON 10K JA 1/6W	1
C503	403 049 5508	ELECT 10U M 50V	1	R334	401 027 0309	CARBON 47K JA 1/6W	1
C601	403 071 5903	CERAMIC 220P K 50V	1	R335	401 020 0801	CARBON 470 JA 1/4W	1
C602	403 071 5903	CERAMIC 220P K 50V	1	R336	401 024 7400	CARBON 10K JA 1/6W	1
C603	403 071 5903	CERAMIC 220P K 50V	1	R337	401 024 7400	CARBON 10K JA 1/6W	1
C604	403 071 5903	CERAMIC 220P K 50V	1	R338	401 024 7400	CARBON 10K JA 1/6W	1
C605	403 071 5903	CERAMIC 220P K 50V	1	R339	401 024 7004	CARBON 1K JA 1/6W	1
C606	403 071 5903	CERAMIC 220P K 50V	1	R340	401 024 7004	CARBON 1K JA 1/6W	1
C607	403 072 7906	CERAMIC 330P K 50V	1	R341	401 027 2600	CARBON 5.6K JA 1/6W	1
C608	403 072 7906	CERAMIC 330P K 50V	1	R342	401 024 7004	CARBON 1K JA 1/6W	1
C609	403 072 2703	CERAMIC 0.022U Z 50V	1	R343	401 024 7004	CARBON 1K JA 1/6W	1
C610	403 072 2703	CERAMIC 0.022U Z 50V	1	R344	401 027 2600	CARBON 5.6K JA 1/6W	1
C611	403 073 6502	CERAMIC 470P K 50V	1	R345	401 024 7004	CARBON 1K JA 1/6W	1
C612	403 073 6502	CERAMIC 470P K 50V	1	R346	401 024 7004	CARBON 1K JA 1/6W	1
C613	403 051 2106	ELECT 4.7U M 50V	1	R347	401 024 7004	CARBON 1K JA 1/6W	1
C614	403 051 2106	ELECT 4.7U M 50V	1	R348	401 024 7004	CARBON 1K JA 1/6W	1
C615	403 071 5903	CERAMIC 220P K 50V	1	R349	401 024 7004	CARBON 1K JA 1/6W	1
C616	403 071 5903	CERAMIC 220P K 50V	1	R350	401 026 4605	CARBON 33K JA 1/6W	1
C617	403 044 0300	ELECT 47U M 16V	1	R351	401 024 7004	CARBON 1K JA 1/6W	1
C618	403 044 0300	ELECT 47U M 16V	1	R352	401 020 2003	CARBON 4.7K JA 1/4W	1
C619	403 071 5903	CERAMIC 220P K 50V	1	R401	401 025 8703	CARBON 220K JA 1/6W	1
C620	403 071 5903	CERAMIC 220P K 50V	1	R402	401 025 8703	CARBON 220K JA 1/6W	1
C621	403 061 8709	POLYESTER 4700P K 50V	1	R403	401 024 8001	CARBON 1M JA 1/6W	1
C622	403 061 8709	POLYESTER 4700P K 50V	1	R404	401 024 8001	CARBON 1M JA 1/6W	1
C623	403 059 0401	POLYESTER 0.018U K 50V	1	R405	401 026 9600	CARBON 470 JA 1/6W	1
C624	403 059 0401	POLYESTER 0.018U K 50V	1	R406	401 026 9600	CARBON 470 JA 1/6W	1
C625	403 051 2106	ELECT 4.7U M 50V	1	R407	401 027 2105	CARBON 56 JA 1/6W	1
C626	403 051 2106	ELECT 4.7U M 50V	1	R408	401 027 2105	CARBON 56 JA 1/6W	1
C627	403 042 3600	ELECT 100U M 16V	1	R409	401 025 8208	CARBON 22K JA 1/6W	1
C628	403 042 3600	ELECT 100U M 16V	1	R410	401 025 8208	CARBON 22K JA 1/6W	1
C629	403 042 3600	ELECT 100U M 16V	1	R411	401 025 4903	CARBON 180K JA 1/6W	1
C630	403 042 3600	ELECT 100U M 16V	1	R412	401 025 4903	CARBON 180K JA 1/6W	1
C631	403 048 7701	ELECT 0.47U M 50V	1	R413	401 027 5502	CARBON 6.8K JA 1/6W	1
C632	403 047 9706	ELECT 0.1U M 50V	1	R414	401 027 5502	CARBON 6.8K JA 1/6W	1
C633	403 048 7701	ELECT 0.47U M 50V	1	R415	401 028 0209	CARBON 9.1K JA 1/6W	1
C634	403 048 7701	ELECT 0.47U M 50V	1	R416	401 028 0209	CARBON 9.1K JA 1/6W	1
C635	403 044 0300	ELECT 47U M 16V	1	R417	401 028 0209	CARBON 9.1K JA 1/6W	1
C636	403 044 0300	ELECT 47U M 16V	1	R418	401 028 0209	CARBON 9.1K JA 1/6W	1
C637	403 071 5903	CERAMIC 220P K 50V	1	R419	401 025 8208	CARBON 22K JA 1/6W	1
C638	403 071 5903	CERAMIC 220P K 50V	1	R420	401 025 8208	CARBON 22K JA 1/6W	1
C639	403 070 3900	CERAMIC 120P K 50V	1	R421	401 024 7400	CARBON 10K JA 1/6W	1
C640	403 070 3900	CERAMIC 120P K 50V	1	R422	401 025 8208	CARBON 22K JA 1/6W	1
C641	403 049 5508	ELECT 10U M 50V	1	R423	401 023 1706	CARBON 820 JA 1/4W	1
C642	403 049 5508	ELECT 10U M 50V	1	R424	401 024 7004	CARBON 1K JA 1/6W	1
C643	403 042 3600	ELECT 100U M 16V	1	R425	401 025 1902	CARBON 15K JA 1/6W	1
C644	403 042 3600	ELECT 100U M 16V	1	R426	401 025 1902	CARBON 15K JA 1/6W	1
C645	403 049 1708	ELECT 1U M 50V	1	R427	401 026 4605	CARBON 33K JA 1/6W	1
R301	401 025 7805	CARBON 2.2K JA 1/6W	1	R428	401 024 7004	CARBON 1K JA 1/6W	1
R302	401 025 7805	CARBON 2.2K JA 1/6W	1	R429	401 026 9907	CARBON 4.7K JA 1/6W	1
R303	401 025 7805	CARBON 2.2K JA 1/6W	1	R430	401 026 9907	CARBON 4.7K JA 1/6W	1
R304	401 025 7805	CARBON 2.2K JA 1/6W	1	R431	401 025 1902	CARBON 15K JA 1/6W	1
R305	401 025 7805	CARBON 2.2K JA 1/6W	1	R432	401 025 1902	CARBON 15K JA 1/6W	1
R306	401 024 7707	CARBON 100K JA 1/6W	1	R433	401 020 2003	CARBON 4.7K JA 1/4W	1
R307	401 024 7707	CARBON 100K JA 1/6W	1	R434	401 020 2003	CARBON 4.7K JA 1/4W	1
R308	401 024 7707	CARBON 100K JA 1/6W	1	R435	401 027 3201	CARBON 560K JA 1/6W	1
R309	401 024 7707	CARBON 100K JA 1/6W	1	R436	401 027 3201	CARBON 560K JA 1/6W	1
R310	401 024 7707	CARBON 100K JA 1/6W	1	R437	401 027 3003	CARBON 56K JA 1/6W	1
R311	401 024 7400	CARBON 10K JA 1/6W	1	R438	401 027 3003	CARBON 56K JA 1/6W	1
R312	401 024 7400	CARBON 10K JA 1/6W	1	R439	401 027 3003	CARBON 56K JA 1/6W	1
R313	401 024 7707	CARBON 100K JA 1/6W	1	R440	401 027 3003	CARBON 56K JA 1/6W	1
R314	401 024 7707	CARBON 100K JA 1/6W	1	R441	401 017 0807	CARBON 270 JA 1/4W	1
R315	401 024 7707	CARBON 100K JA 1/6W	1	R442	401 016 2604	CARBON 220 JA 1/4W	1
R316	401 024 7400	CARBON 10K JA 1/6W	1	R451	401 024 6403	CARBON 10 JA 1/6W	1
R317	401 022 1905	CARBON 680 JA 1/4W	1	R452	401 024 6403	CARBON 10 JA 1/6W	1
R318	401 025 1902	CARBON 15K JA 1/6W	1	R453	401 025 8703	CARBON 220K JA 1/6W	1
R319	401 025 2305	CARBON 150K JA 1/6W	1	R454	401 025 8703	CARBON 220K JA 1/6W	1
R320	401 025 7805	CARBON 2.2K JA 1/6W	1	R455	401 026 9600	CARBON 470 JA 1/6W	1
R321	401 025 1902	CARBON 15K JA 1/6W	1	R456	401 026 9600	CARBON 470 JA 1/6W	1
R322	401 025 2305	CARBON 150K JA 1/6W	1	R457	401 027 2105	CARBON 56 JA 1/6W	1
R323	401 025 7805	CARBON 2.2K JA 1/6W	1	R458	401 027 2105	CARBON 56 JA 1/6W	1
R324	401 025 1902	CARBON 15K JA 1/6W	1	R459	401 027 2600	CARBON 5.6K JA 1/6W	1
R325	401 025 2305	CARBON 150K JA 1/6W	1	R460	401 027 2600	CARBON 5.6K JA 1/6W	1
R326	401 025 7805	CARBON 2.2K JA 1/6W	1	R461	401 025 2305	CARBON 150K JA 1/6W	1
R327	401 025 1902	CARBON 15K JA 1/6W	1	R462	401 025 2305	CARBON 150K JA 1/6W	1
R328	401 025 2305	CARBON 150K JA 1/6W	1	R463	401 025 8208	CARBON 22K JA 1/6W	1

P.C.BOARD PARTS LIST (Continued)

Ref. No.	Part No.	Description	Q'ty	Ref. No.	Part No.	Description	Q'ty
1464	401 025 8208	CARBON 22K JA 1/6W	1	R543	401 025 7805	CARBON 2.2K JA 1/6W	1
1465	401 026 9907	CARBON 4.7K JA 1/6W	1	R544	401 025 7805	CARBON 2.2K JA 1/6W	1
1466	401 026 9907	CARBON 4.7K JA 1/6W	1	R545	401 025 8208	CARBON 22K JA 1/6W	1
1467	401 025 1902	CARBON 15K JA 1/6W	1	R546	401 025 8208	CARBON 22K JA 1/6W	1
1468	401 025 1902	CARBON 15K JA 1/6W	1	R547	401 026 7002	CARBON 3.9K JA 1/6W	1
1469	401 027 2600	CARBON 5.6K JA 1/6W	1	R548	401 026 7002	CARBON 3.9K JA 1/6W	1
1470	401 027 2600	CARBON 5.6K JA 1/6W	1	R549	401 027 8602	CARBON 8.2K JA 1/6W	1
1471	401 024 8001	CARBON 1M JA 1/6W	1	R550	401 027 8602	CARBON 8.2K JA 1/6W	1
1472	401 024 8001	CARBON 1M JA 1/6W	1	R551	401 026 3905	CARBON 330 JA 1/6W	1
1473	401 020 2003	CARBON 4.7K JA 1/4W	1	R552	401 026 3905	CARBON 330 JA 1/6W	1
1474	401 020 2003	CARBON 4.7K JA 1/4W	1	R553	401 026 3905	CARBON 330 JA 1/6W	1
1475	401 025 1902	CARBON 15K JA 1/6W	1	R554	401 026 3905	CARBON 330 JA 1/6W	1
1476	401 025 1902	CARBON 15K JA 1/6W	1	R555	401 026 6609	CARBON 390 JA 1/6W	1
1477	401 027 3003	CARBON 56K JA 1/6W	1	R556	401 026 6609	CARBON 390 JA 1/6W	1
1478	401 027 3003	CARBON 56K JA 1/6W	1	R557	401 026 6609	CARBON 390 JA 1/6W	1
1479	401 027 8602	CARBON 8.2K JA 1/6W	1	R558	401 026 6609	CARBON 390 JA 1/6W	1
1480	401 027 8602	CARBON 8.2K JA 1/6W	1	R559	401 025 8208	CARBON 22K JA 1/6W	1
1481	401 023 1706	CARBON 820 JA 1/4W	1	R560	401 025 8208	CARBON 22K JA 1/6W	1
1482	401 025 8208	CARBON 22K JA 1/6W	1	R561	401 019 7804	CARBON 4.3K JA 1/4W	1
1483	401 027 0309	CARBON 47K JA 1/6W	1	R562	401 019 7804	CARBON 4.3K JA 1/4W	1
1484	401 024 7400	CARBON 10K JA 1/6W	1	R563	401 024 7400	CARBON 10K JA 1/6W	1
1485	401 027 9005	CARBON 82K JA 1/6W	1	R564	401 024 7400	CARBON 10K JA 1/6W	1
1486	401 027 9005	CARBON 82K JA 1/6W	1	R565	401 024 7400	CARBON 10K JA 1/6W	1
1487	401 025 8208	CARBON 22K JA 1/6W	1	R566	401 024 7400	CARBON 10K JA 1/6W	1
1488	401 016 4806	CARBON 22K JA 1/4W	1	R567	401 024 7400	CARBON 10K JA 1/6W	1
1489	401 012 7009	CARBON 10K JA 1/4W	1	R568	401 024 7400	CARBON 10K JA 1/6W	1
1490	401 024 7400	CARBON 10K JA 1/6W	1	R569	401 024 7400	CARBON 10K JA 1/6W	1
1491	401 025 7805	CARBON 2.2K JA 1/6W	1	R570	401 024 7400	CARBON 10K JA 1/6W	1
1492	401 027 0309	CARBON 47K JA 1/6W	1	R571	401 024 7400	CARBON 10K JA 1/6W	1
1493	401 025 2305	CARBON 150K JA 1/6W	1	R572	401 024 7400	CARBON 10K JA 1/6W	1
1494	401 020 0801	CARBON 470 JA 1/4W	1	R573	401 027 8602	CARBON 8.2K JA 1/6W	1
1495	401 018 3807	CARBON 3.3K JA 1/4W	1	R574	401 027 8602	CARBON 8.2K JA 1/6W	1
1496	401 018 3807	CARBON 3.3K JA 1/4W	1	R575	401 027 2600	CARBON 5.6K JA 1/6W	1
1497	401 025 4606	CARBON 18K JA 1/6W	1	R576	401 027 2600	CARBON 5.6K JA 1/6W	1
1498	401 025 4606	CARBON 18K JA 1/6W	1	R577	401 027 8602	CARBON 8.2K JA 1/6W	1
1499	401 025 8208	CARBON 22K JA 1/6W	1	R578	401 027 8602	CARBON 8.2K JA 1/6W	1
1500	401 025 8208	CARBON 22K JA 1/6W	1	R579	401 026 7002	CARBON 3.9K JA 1/6W	1
1501	401 023 3700	CARBON 82K JA 1/4W	1	R580	401 026 7002	CARBON 3.9K JA 1/6W	1
1502	401 023 3700	CARBON 82K JA 1/4W	1	R581	401 024 7400	CARBON 10K JA 1/6W	1
1503	401 027 5502	CARBON 6.8K JA 1/6W	1	R582	401 024 7400	CARBON 10K JA 1/6W	1
1504	401 027 5502	CARBON 6.8K JA 1/6W	1	R583	401 016 2604	CARBON 220 JA 1/4W	1
1505	401 025 0004	CARBON 120K JA 1/6W	1	R584	401 016 2604	CARBON 220 JA 1/4W	1
1506	401 025 0004	CARBON 120K JA 1/6W	1	R585	401 012 4503	CARBON 100 JA 1/4W	1
1507	401 024 7707	CARBON 100K JA 1/6W	1	R586	401 012 4503	CARBON 100 JA 1/4W	1
1508	401 024 7707	CARBON 100K JA 1/6W	1	R587	401 024 7400	CARBON 10K JA 1/6W	1
1509	401 024 9008	CARBON 120 JA 1/6W	1	R588	401 024 7400	CARBON 10K JA 1/6W	1
1510	401 024 9008	CARBON 120 JA 1/6W	1	R589	401 024 7400	CARBON 10K JA 1/6W	1
1511	401 027 2600	CARBON 5.6K JA 1/6W	1	R590	401 024 7400	CARBON 10K JA 1/6W	1
1512	401 027 2600	CARBON 5.6K JA 1/6W	1	R591	401 024 7004	CARBON 1K JA 1/6W	1
1513	401 026 4605	CARBON 33K JA 1/6W	1	R592	401 024 7004	CARBON 1K JA 1/6W	1
1514	401 026 4605	CARBON 33K JA 1/6W	1	R593	401 026 6302	CARBON 360K JA 1/6W	1
1515	401 026 4308	CARBON 3.3K JA 1/6W	1	R594	401 026 6302	CARBON 360K JA 1/6W	1
1516	401 026 4308	CARBON 3.3K JA 1/6W	1	R595	401 026 7408	CARBON 39K JA 1/6W	1
1517	401 027 8602	CARBON 8.2K JA 1/6W	1	R596	401 026 7408	CARBON 39K JA 1/6W	1
1518	401 027 8602	CARBON 8.2K JA 1/6W	1	R597	401 026 4605	CARBON 33K JA 1/6W	1
1519	401 012 5708	CARBON 1K JA 1/4W	1	R598	401 026 4605	CARBON 33K JA 1/6W	1
1520	401 027 0309	CARBON 47K JA 1/6W	1	R599	401 025 8208	CARBON 22K JA 1/6W	1
1521	401 025 8208	CARBON 22K JA 1/6W	1	R600	401 027 0309	CARBON 47K JA 1/6W	1
1522	401 110 1909	MT-FILM 43K GA 1/6W	1	R601	401 016 3809	CARBON 2.2K JA 1/4W	1
1523	401 027 0309	CARBON 47K JA 1/6W	1	R602	401 016 3809	CARBON 2.2K JA 1/4W	1
1524	401 027 0309	CARBON 47K JA 1/6W	1	R603	401 012 8105	CARBON 100K JA 1/4W	1
1525	401 027 5908	CARBON 68K JA 1/6W	1	R604	401 012 8105	CARBON 100K JA 1/4W	1
1526	401 027 5908	CARBON 68K JA 1/6W	1	R605	401 013 6407	CARBON 12K JA 1/4W	1
1527	401 020 2904	CARBON 47K JA 1/4W	1	R606	401 024 9701	CARBON 12K JA 1/6W	1
1528	401 020 2904	CARBON 47K JA 1/4W	1	R607	401 019 3004	CARBON 39K JA 1/4W	1
1529	401 027 5908	CARBON 68K JA 1/6W	1	R608	401 019 3004	CARBON 39K JA 1/4W	1
1530	401 027 5908	CARBON 68K JA 1/6W	1	R609	401 016 3809	CARBON 2.2K JA 1/4W	1
1531	401 027 5908	CARBON 68K JA 1/6W	1	R610	401 016 3809	CARBON 2.2K JA 1/4W	1
1532	401 027 5908	CARBON 68K JA 1/6W	1	R611	401 020 2904	CARBON 47K JA 1/4W	1
1533	401 026 7408	CARBON 39K JA 1/6W	1	R612	401 020 2904	CARBON 47K JA 1/4W	1
1534	401 026 7408	CARBON 39K JA 1/6W	1	R613	401 016 3809	CARBON 2.2K JA 1/4W	1
1535	401 025 0004	CARBON 120K JA 1/6W	1	R614	401 016 3809	CARBON 2.2K JA 1/4W	1
1536	401 025 0004	CARBON 120K JA 1/6W	1	R615	401 024 7707	CARBON 100K JA 1/6W	1
1537	401 025 0004	CARBON 120K JA 1/6W	1	R616	401 024 7707	CARBON 100K JA 1/6W	1
1538	401 025 0004	CARBON 120K JA 1/6W	1	R617	401 024 7707	CARBON 100K JA 1/6W	1
1539	401 025 4606	CARBON 18K JA 1/6W	1	R618	401 024 7707	CARBON 100K JA 1/6W	1
1540	401 025 4606	CARBON 18K JA 1/6W	1	R619	401 026 3905	CARBON 330 JA 1/6W	1
1541	401 027 0309	CARBON 47K JA 1/6W	1	R620	401 026 3905	CARBON 330 JA 1/6W	1
1542	401 027 0309	CARBON 47K JA 1/6W	1	R621	401 025 1902	CARBON 15K JA 1/6W	1

P.C.BOARD PARTS LIST (Continued)

Ref. No.	Part No.	Description	Q'ty
POWER SWITCH P.C.B. ASSY			
66	620 190 7469	Power Switch P.C.B. Assy	1
S860	△ 620 015 2686	Keyboard Switch	1
FUNCTION SWITCH P.C.B. ASSY			
67	620 190 7476	Function Switch P.C.B. Assy	1
S941	620 015 1948	Tact Switch (PHONO)	1
S942	620 015 1948	Tact Switch (TAPE)	1
S943	620 015 1948	Tact Switch (CD)	1
S944	620 015 1948	Tact Switch (TUNER)	1
S945	620 015 1948	Tact Switch (AUX)	1

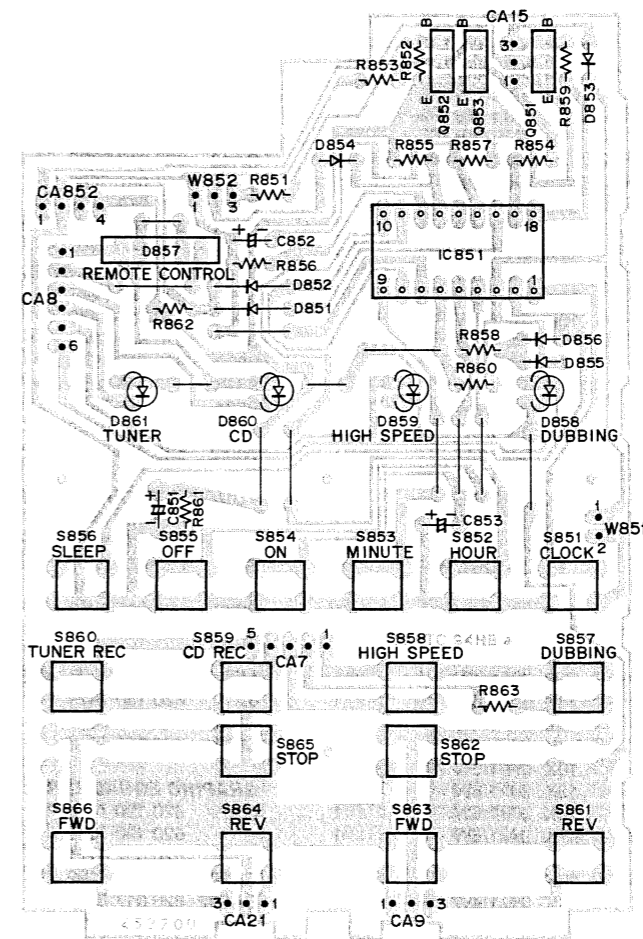
NOTES:

- Parts order must contain Model Number, Part Number and Description.
- Ordering quantity of screws and resistors must be multiple of 10 pcs.

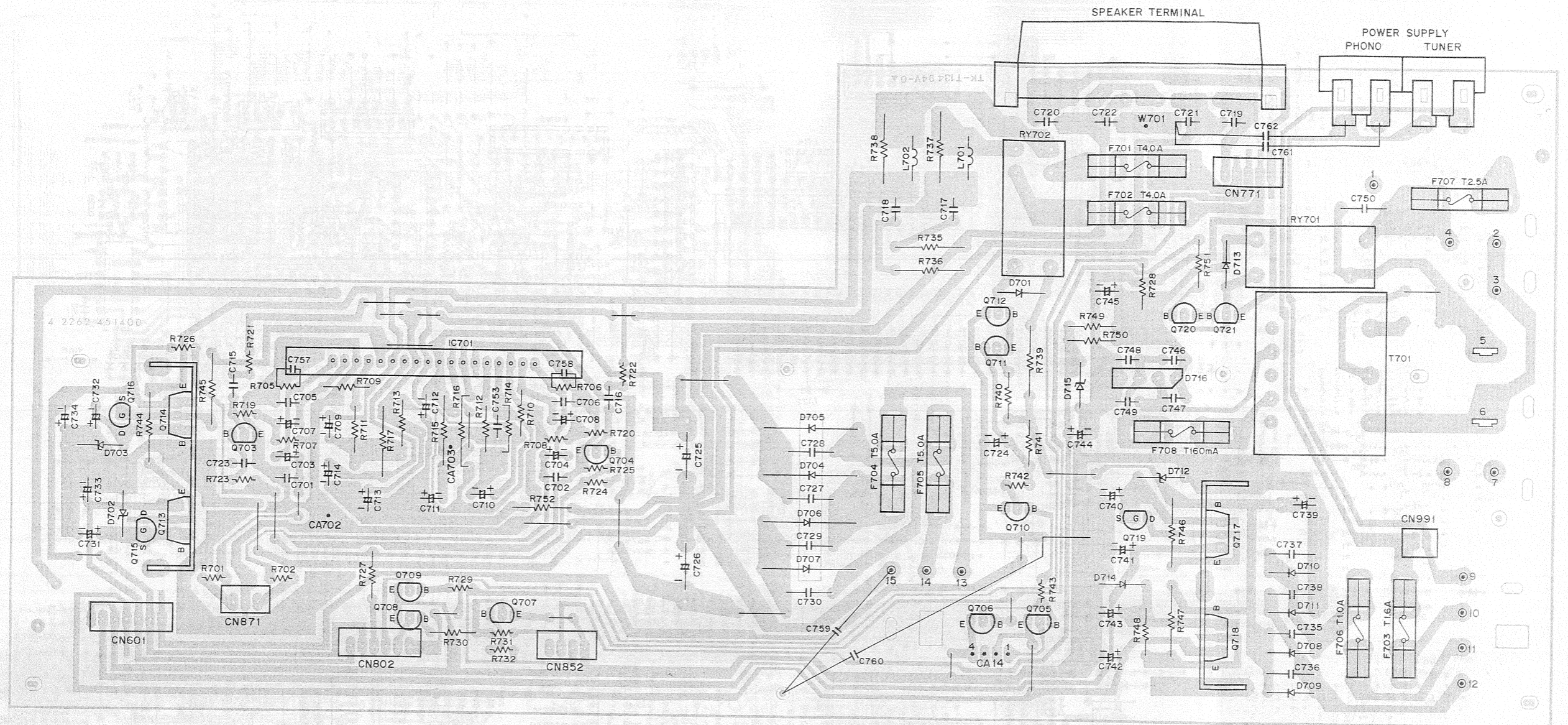
PRODUCT SAFETY NOTICE

Each precaution in this manual should be followed during servicing. Components identified with the IEC symbol Δ in the parts list and the schematic diagram designate components in which safety can be of special significance. When replacing a component identified with Δ , use only the replacement parts designated, or parts with the same ratings of resistance, wattage or voltage that are designated in the parts list in this manual. Leakage-current or resistance measurements must be made to determine that exposed parts are acceptably insulated from the supply circuit before returning the product to the customer.

TIMER PRINTED CIRCUIT BOARD (BOTTOM VIEW)



POWER AMPLIFIER PRINTED CIRCUIT BOARD (BOTTOM VIEW)



IC PIN NUMBERS DC VOLTAGES

Ref. No.	DEVICE	1	2	3	4	5	6	7	8	9	10	11	12	13	14	15	16	17	18
IC701	STK4192MK2	-01	-0.1	0	-38.8	-1.2	0	-40.7	-41.5	-42.1	0	42.0	40.1	0	-41.7	-1.3	0	-0.1	-0.1

NOTES:

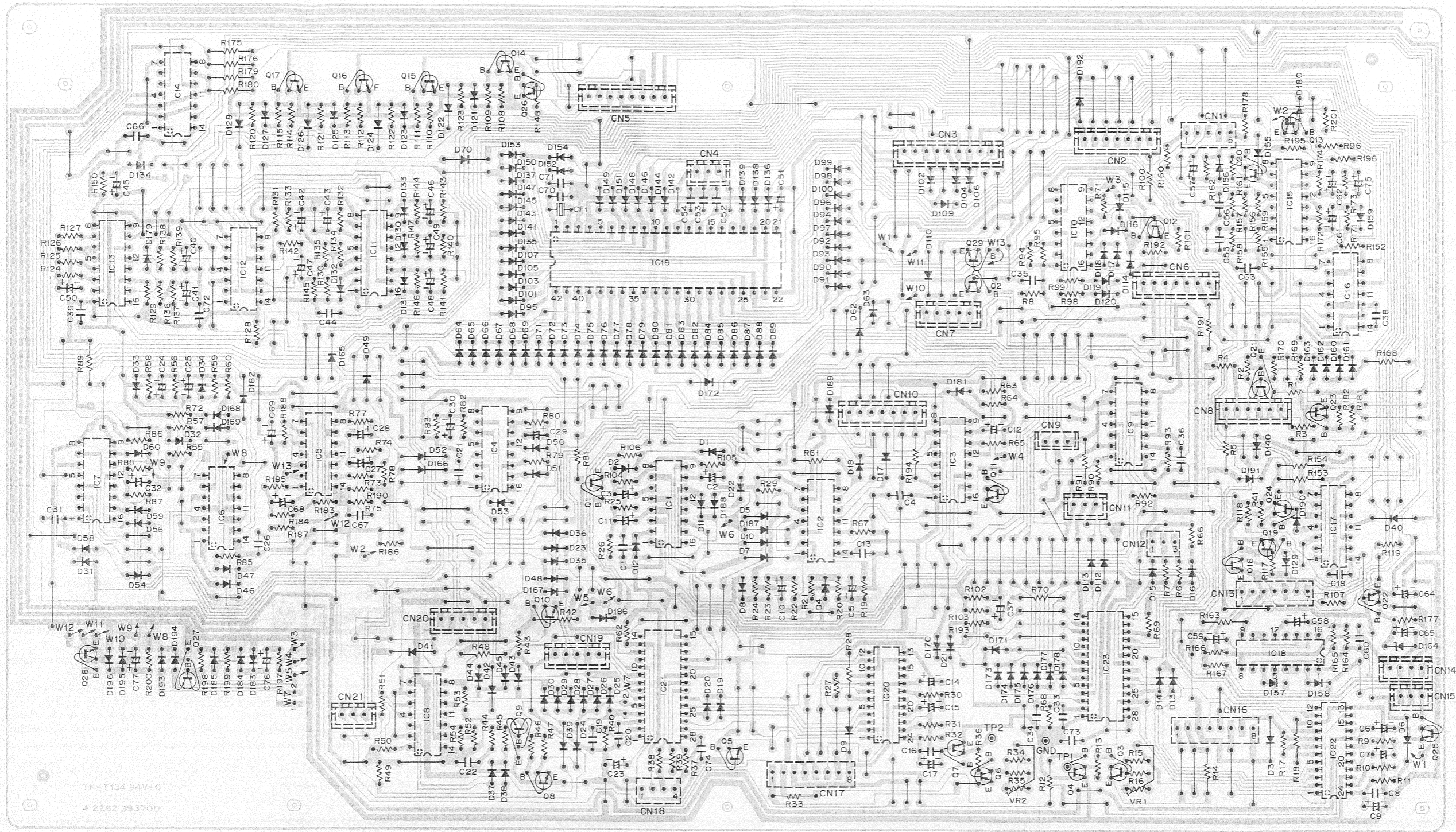
All voltages indicated on the schematics are measured under the following conditions.

- a. Use a V.T.V.M.
- b. All voltages $\pm 10\%$ with respect to chassis ground.
- c. No signals at input terminals.
- d. AC input at 220 volts 50 Hz.

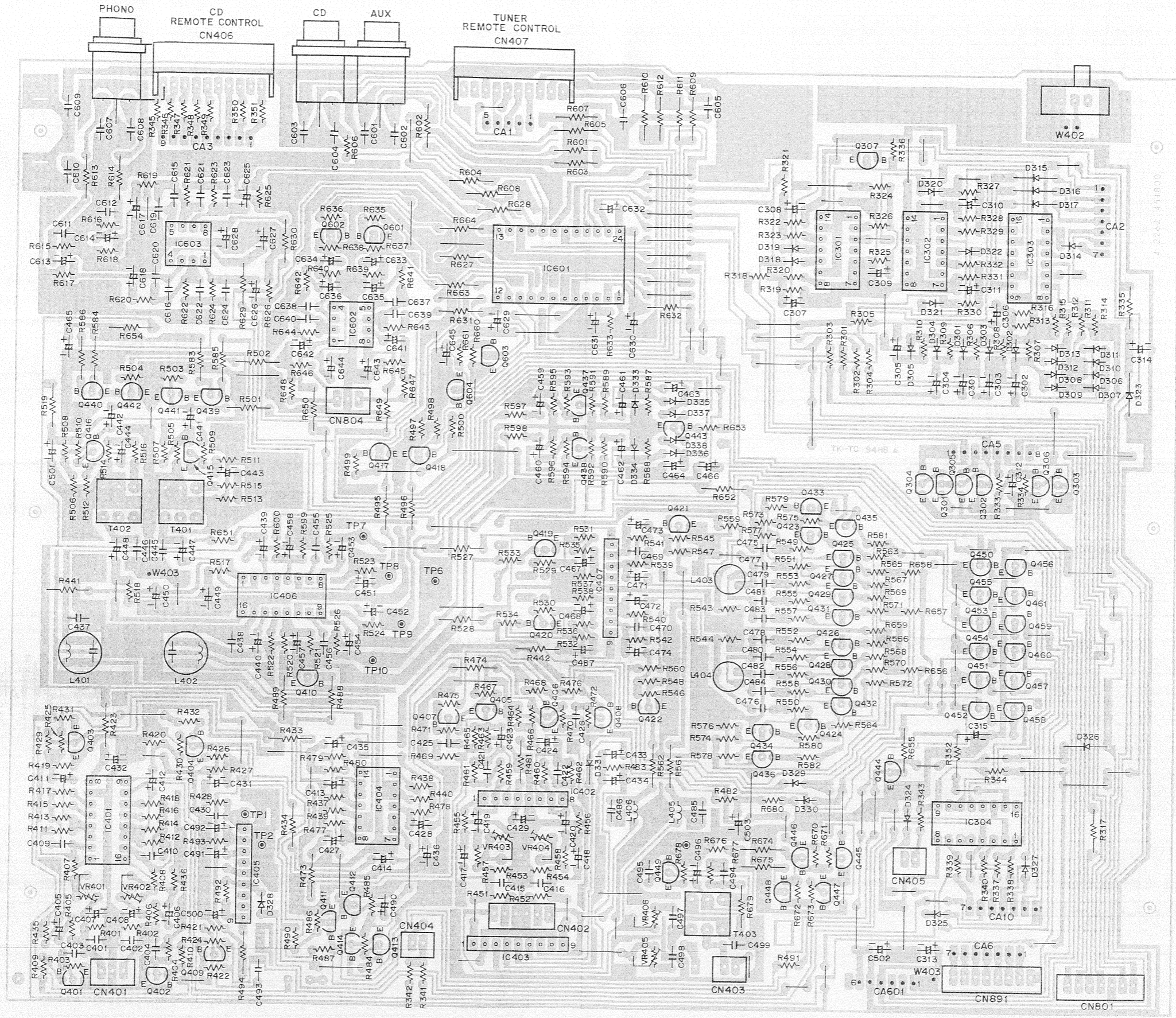
TRANSISTOR DC VOLTAGES

Ref. No.	DEVICE	B	C	E	Ref. No.	DEVICE	B	C	E
Q703	2SC536	0	0	0	Q713	2SD1406	15.2	0	0
Q704	2SC536	0.6	0	0	Q714	2SB1015	-15.3	-39.2	-14.7
Q705	2SA1346	0	12.0	0	Q715	2SK246	0	15.2	15.2
Q706	2SC3400	4.3	0	0	Q716	2SK246	-15.3	-39.2	0
Q707	2SC536	0.6	0	0	Q717	2SD1406	13.1	0	12.6
Q708	2SC536	0	0	0	Q718	2SD1406	12.7	20.7	12.1
Q709	2SC536	0.7	0	0	Q719	2SK246	20.6	13.1	0
Q710	2SC536	0	1.3	0	Q720	2SC536	1.3	0.7	0.7
Q711	2SC536	1.3	0.7	0.7	Q721	2SC536	0.7	0.7	0
Q712	2SC536	0.7	0	0					

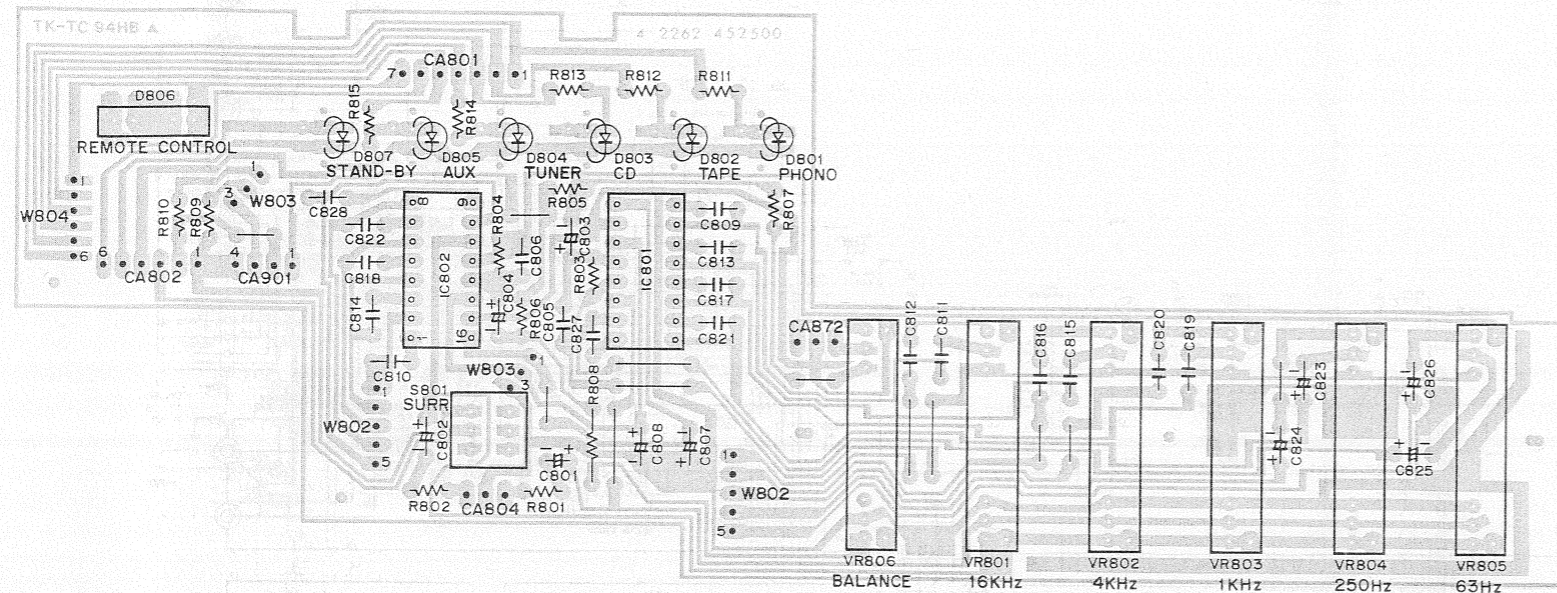
CONTROL PRINTED CIRCUIT BOARD
(BOTTOM VIEW)



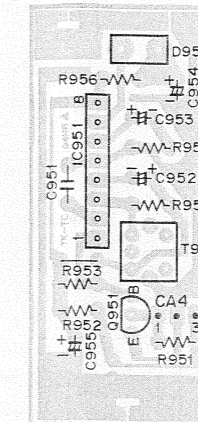
DECK AMPLIFIER PRINTED CIRCUIT BOARD (BOTTOM VIEW)



GRAPHIC EQUALIZER PRINTED CIRCUIT BOARD
(BOTTOM VIEW)



REMCON PRINTED CIRCUIT BOARD
(BOTTOM VIEW)



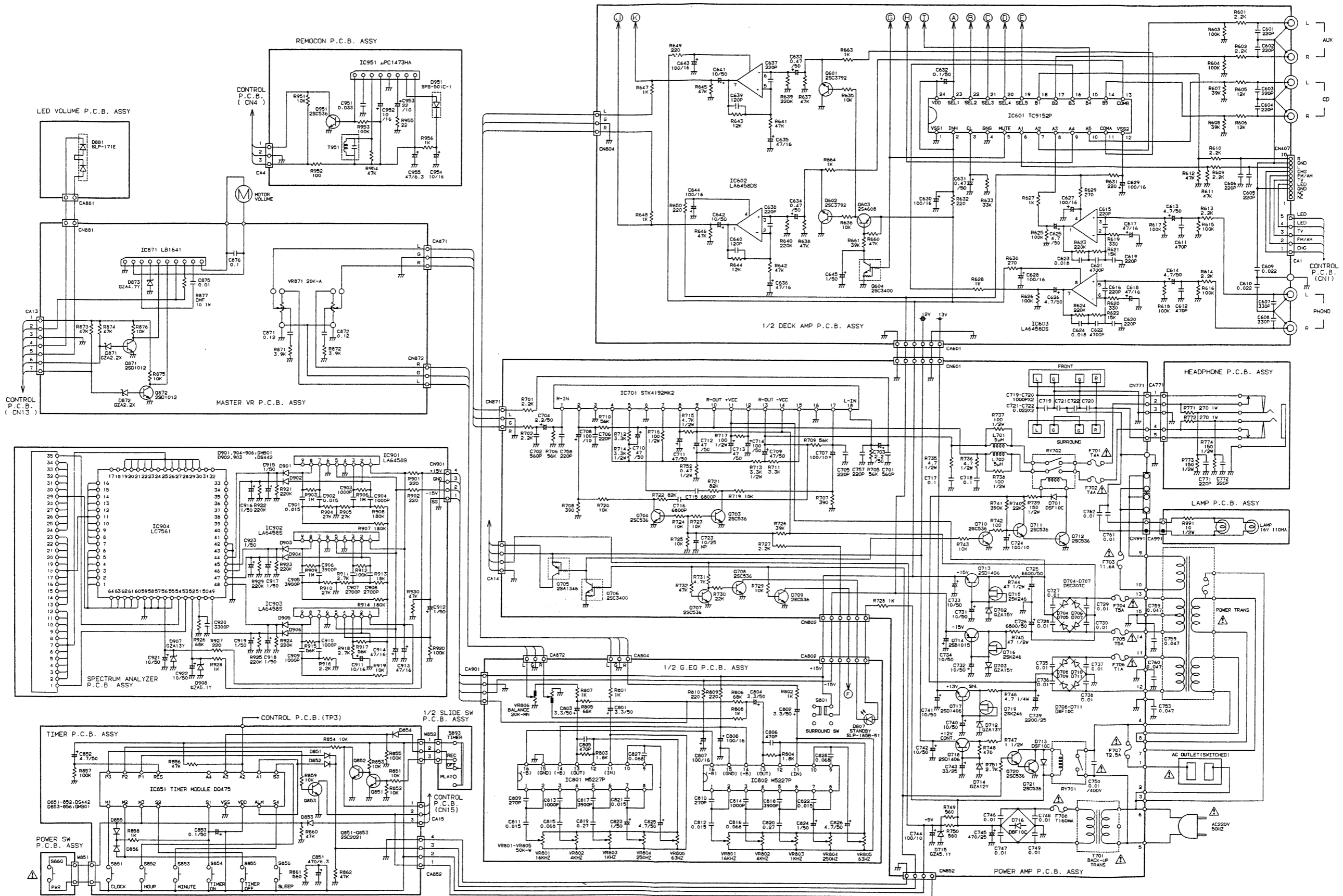
IC PIN NUMBERS DC VOLTAGES																	
Ref. No.	DEVICE	1	2	3	4	5	6	7	8	9	10	11	12	13	14	15	16
IC301	LC4081B	0	0	0	0	0	0	0	0	0	0	0	9.8	0	12.0	-	-
IC302	LC4081B	0	0	0	0	0	0	0	0	0	0	0	0	0	12.0	-	-
IC303	LC4049B	5.2	5.2	0	5.2	0	5.2	0	0	-	-	-	-	-	-	-	-
IC304	LC4049B	5.2	0	5.1	0	5.2	5.2	0.7	0	5.2	0	0	5.1	0.4	0	0.5	0
IC401	M5246P	0.4	1.5	1.5	1.5	1.5	1.5	0	8.9	0.1	5.2	1.5	1.5	1.5	1.5	0.4	0.4
IC402	LA3160	1.3	0.7	4.9	9.0	0	0.5	0.7	1.3	0	5.2	0	5.2	0	0	5.2	0
IC403	UPC1330HA	0	0	0	0	0	11.8	0	0	0	-	-	-	-	-	-	-
IC404	LC4086B	6.2	6.2	6.2	6.2	0	0	0	6.2	6.2	11.1	11.1	12.5	-	-	-	-
IC405	LA2000	2.0	0	2.0	0	0	0	0	0	8.7	-	-	-	-	-	-	-
IC406	CXA1101P	5.6	11.2	5.5	5.7	3.5	5.8	0.3	5.7	5.7	0.4	5.8	3.4	1.2	5.6	0	5.7
IC407	LA6464S	11.3	5.6	5.6	5.6	0	5.6	5.6	5.6	11.3	-	-	-	-	-	-	-

IC PIN NUMBERS DC VOLTAGES																					
Ref. No.	DEVICE	1	2	3	4	5	6	7	8	9	10	11	12	13	14	15	16	17	18	19	20
IC601	TC9152P	0	12.4	0	0	0	0	0	0	0	0	0	0	-14.7	0	0	0	0	0	0	0
		21	22	23	24	25	26	27	28	29	30	31	32	33	34	35	36	37	38	39	40
		10.8	0	0	12.4	-	-	-	-	-	-	-	-	-	-	-	-	-	-	-	-

IC PIN NUMBERS DC VOLTAGES																	
Ref. No.	DEVICE	1	2	3	4	5	6	7	8	9	10	11	12	13	14	15	16
IC602	LA6458DS	0	0	0	-13.9	0	0	0	13.8	-	-	-	-	-	-	-	-
IC603	LA6458DS	0	0	0	-13.7	0	0	0	13.7	-	-	-	-	-	-	-	-
IC801	M5227P	0	0	0	0	0	10.5	0	-10.7	0	0	0	0	0	0	0	0
IC802	M5227P	0	0	0	0	0	0	0	0	0	0	0	0	0	0	0	0
IC951	UPC1473HA	0.5	1.0	4.8	3.6	0	0.7	1.2	4.9	-	-	-	-	-	-	-	-

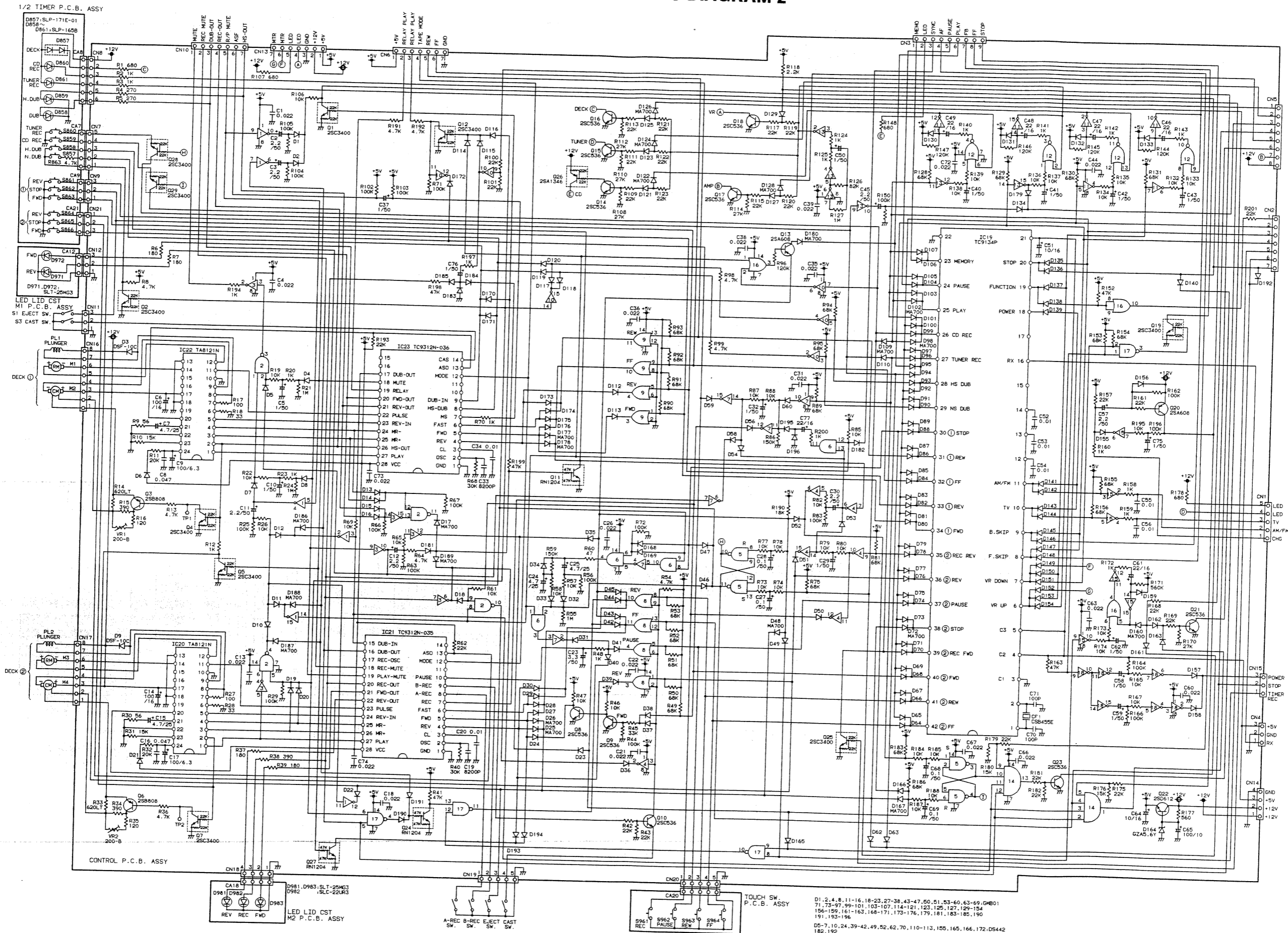
TRANSISTOR DC VOLTAGES															
Ref. No.	DEVICE	B	C	E	Ref. No.	DEVICE	B	C	E	Ref. No.	DEVICE	B	C	E	
Q301	2SA1346	11.9	1.3	12.0	Q418	2SD1012	0.6	0	0	Q442	2SC536	0	0	0	
Q302	2SA1346	11.9	0	12.0	Q419	2SC536	0.4	0.1	0	Q443	2SC536	0	0.5	0	
Q303	2SA1346	11.9	0	12.0	Q420	2SC536	0.4	0.1	0	Q444	DTC114	0	0	0	
Q304	2SC3400	0	11.9	0	Q421	2SD1012	0.6	0	0	Q445	DTC114	0	12.3	0	
Q305	2SC3400	0	11.9	0	Q422	2SD1012	0.6	0	0	Q446	2SA984	12.3	0	12.5	
Q306	2SC536	0	11.9	0	Q423	2SC536	0.6	0	0	Q447	DTC114	12.5	0	0	
Q307	2SC536	0.6	0	0	Q424	2SC536	0.6	0	0	Q448	2SA984	0	0	0	
Q401	2SC536	0.6	0	0	Q425	2SC536	-0.6	0	0	Q449	2SC3708	0	0	0	
Q402	2SC536	0.6	0	0	Q426	2SC536	0.6	0	0	Q450	DTA114	0	12.5	12.5	
Q403	2SD1012	0.6	0	0	Q427	2SC536	-0.7	0.3	0	Q451	DTA114	0	12.5	12.5	
Q404	2SD1012	0.6	0	0	Q428	2SC536	0.4	1.0	1.0	Q452	DTA114	0	12.5	12.5	
Q405	2SD1012	0.6	0	0	Q429	2SC536	0.4	0	4.4	Q453	DTA114	12.3	0	12.5	
Q406	2SD1012	0.6	0	0	Q430	2SC536	0.4	0.9	4.5	Q454	DTA114	12.3	0	12.5	
Q407	2SC536	0.6	0	0	Q431	2SC536	4.6	4.2	4.4	Q455	DTA114	0	12.5	12.5	
Q408	2SC536	0.7	0	0	Q432	2SC536	4.6	4.2	4.5	Q456	DTC114	4.2	0	0	
Q409	2SC536	0	6.9	0	Q433	2SC536	0.7	0	0	Q457	DTC114	5.1	0	0	
Q410	2SC536	0	10.9	0	Q434	2SC536	0.7	0	0	Q458	DTC114	0	11.7	0	
Q411	2SC536	0	10.9	0	Q435	2SC536	0.2	4.5	0	Q459	DTC114	0	12.3	0	
Q412	DTC114	0	11.1	0	Q436	2SC536	0.5	4.5	0	Q460	DTC114	0	12.3	0	
Q413	DTA114	12.5	0	11.2	Q437	2SC536	1.0	6.9	0.4	Q461	DTC114	4.5	0	0	
Q414	DTC114	0	11.4	0	Q438	2SC536	1.0	6.7	0.4	Q601	2SC3792	0	0	-0.8	
Q415	2SC536	5.5	10.5	4.9	Q439	2SC536	0	12.5	0	Q602	2SC3792	0	0	-0.7	
Q416	2SC536	5.5	10.5	4.9	Q440	2SC536	0.1	12.5	0	Q951	2SC536	0.5	0	0	
Q417	2SD1012	0.6	0	0	Q441	2SC536	0	0	0						

SCHEMATIC DIAGRAM 1



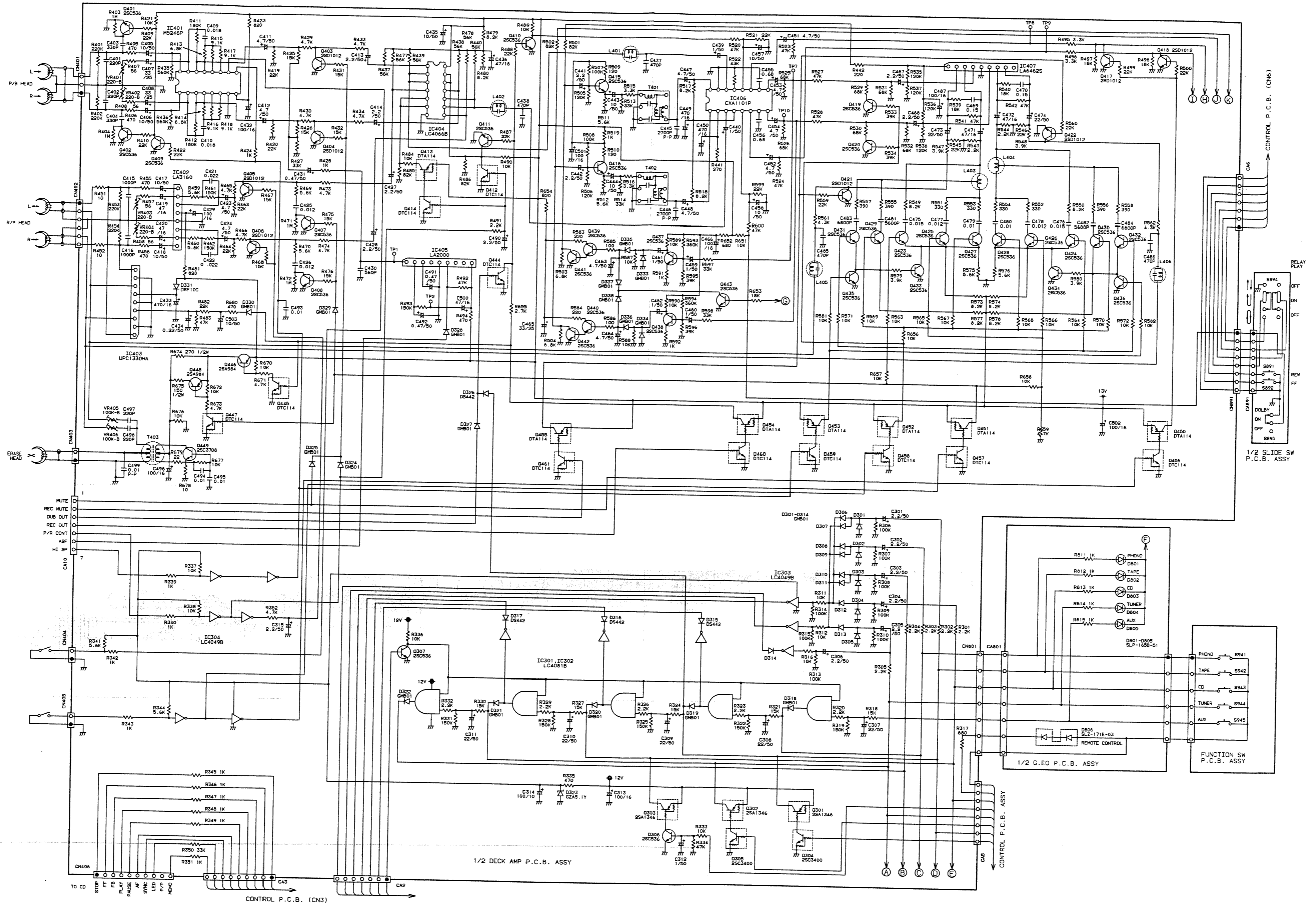
- NOTES:**
1. All resistors values are indicated in "ohm" (K = 10³, M = 10⁶).
 2. All capacitors values are indicated in "µF" (P = 10⁻¹²).
 3. This is a basic schematic diagram.

SCHEMATIC DIAGRAM 2

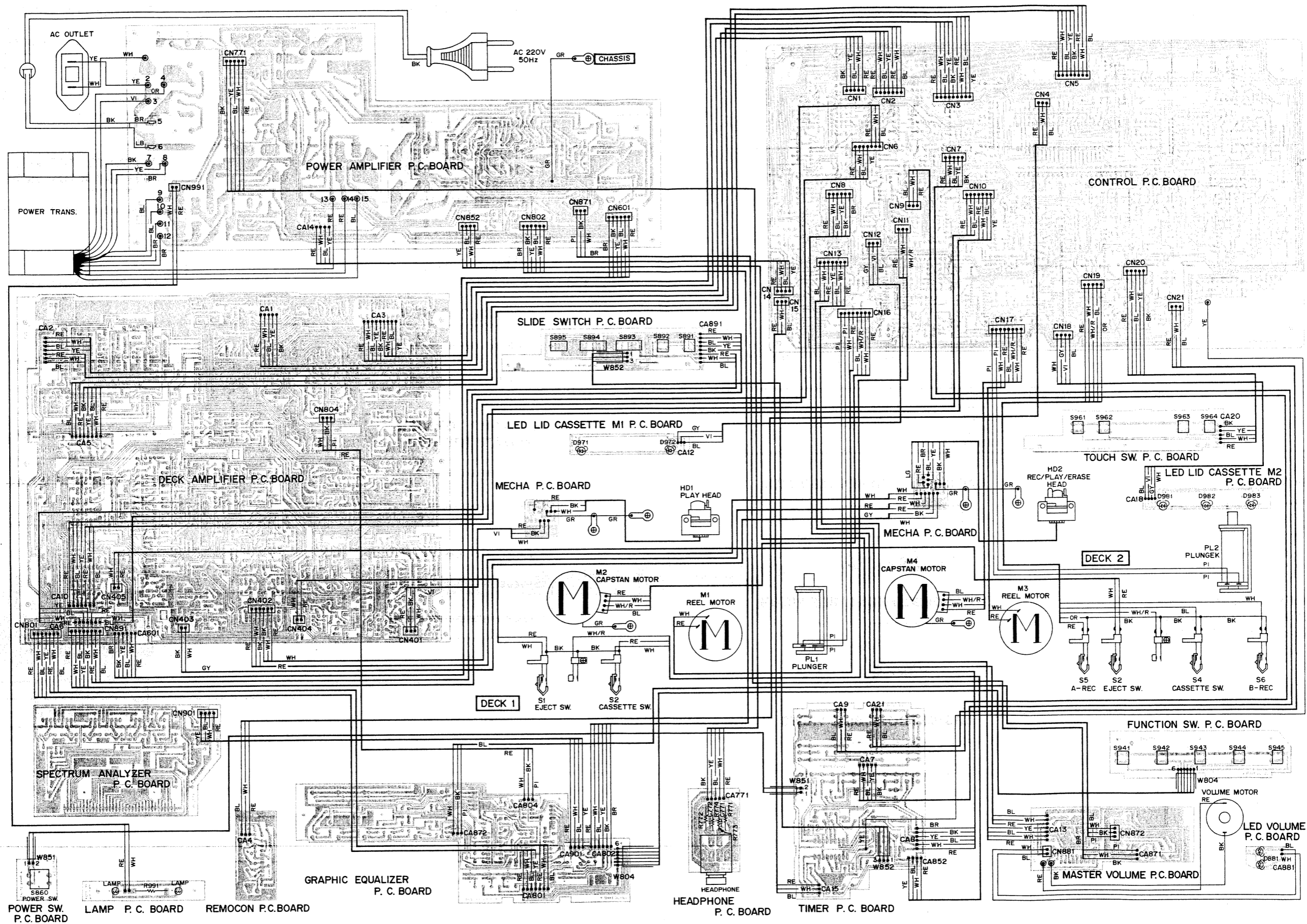


D1-2, 4, 8, 11-16, 18-23, 27-38, 43-47, 50, 51, 53-60, 63-69, 70, 71, 73-97, 99-101, 103-107, 114-121, 123, 125, 127, 129-154, 156-159, 161-163, 168-171, 173-176, 179, 181, 183-185, 190, 191, 193-196
D5-7, 10, 24, 39-42, 49, 52, 62, 70, 110-113, 155, 165, 166, 172, D5442, 182, 192

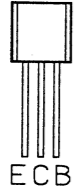

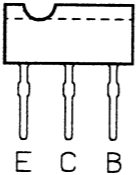
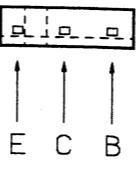
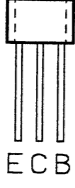



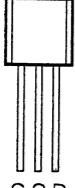

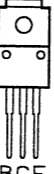

SCHEMATIC DIAGRAM 3



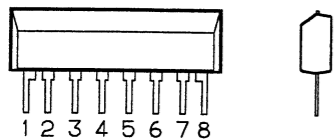
POINT TO POINT WIRING DIAGRAM



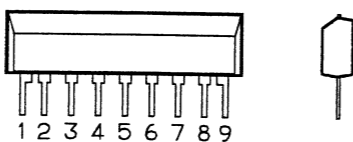
IC & TRANSISTOR LEAD IDENTIFICATION

TRANSISTOR	FRONT VIEW	BOTTOM VIEW	TRANSISTOR	FRONT VIEW	BOTTOM VIEW
2SA608 2SA984 2SC3708 2SC3792 2SC536			2SC2021		
DTC114 RN1204 2SA1346 2SB808 2SC3400 2SD1012			2SD612-F		
2SK246			2SB1015 2SD1406		
TERMINAL NAME					
B → BASE C → COLLECTOR E → EMITTER			S → SOURCE G → GATE D → DRAIN		

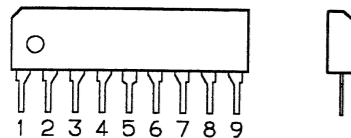
UPC1473HA FRONT/SIDE VIEWS



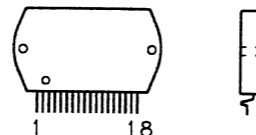
UPC1330HA FRONT/SIDE VIEWS



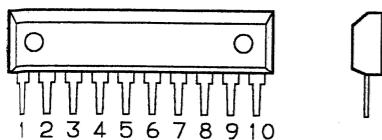
**LA2000 FRONT/SIDE VIEWS
LA6458S FRONT/SIDE VIEWS
LA6462S FRONT/SIDE VIEWS**



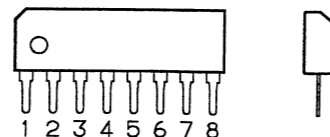
STK4192MK2 FRONT/SIDE VIEWS



LB1641 FRONT/SIDE VIEWS

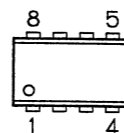


LA3160 FRONT/SIDE VIEWS

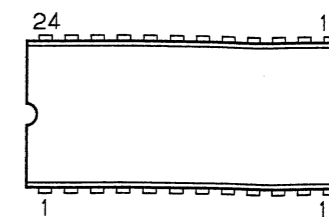


IC & TRANSISTOR LEAD IDENTIFICATION (Continued)

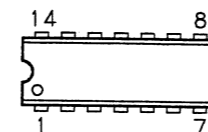
LA6458DS TOP VIEW



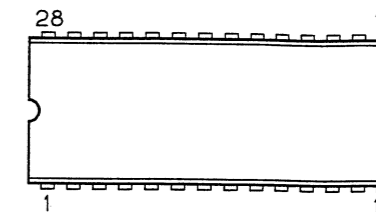
TC9152P TOP VIEW



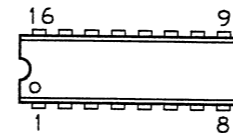
**LC4001B TOP VIEW
LC4011B TOP VIEW
LC4066B TOP VIEW
LC4071B TOP VIEW
LC4081B TOP VIEW
LC4082B TOP VIEW**



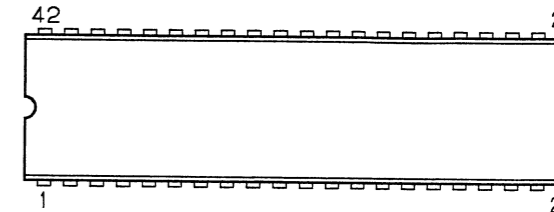
**TC9312N-035 TOP VIEW
TC9312N-036 TOP VIEW**



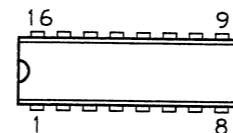
LC4049B TOP VIEW



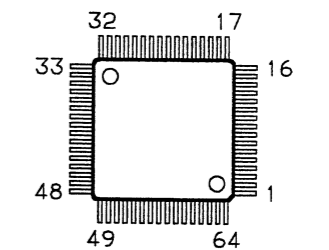
TC9134P TOP VIEW



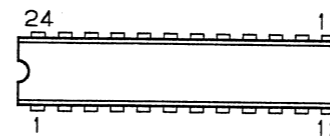
**CXA1101P TOP VIEW
M5227P TOP VIEW**



LC7561 TOP/SIDE VIEWS



TA8121N TOP VIEW



M5246P TOP VIEW

